



cyflex
universal cnc boring centres.

scmcyflex

Compact dimensions with high performance.

cyflex f900

cyflex f900

universal cnc boring centres.

- boring group with 12 vertical spindles, 6 horizontal spindles and blade in 'X'
- electrospindle for vertical routing
- 40 m/min, X-Y axes stroke
- very compact overall dimensions

cyflex h800

cyflex h810

universal cnc boring centres.

- boring group with 8 vertical spindles, 6 horizontal spindles and blade in 'X'
- 25-28 m/min, X-Y axes stroke
- very compact overall dimensions



CYFLEX F900 PRO
page 04

CYFLEX H810 PRO
page 06



cyflex

TECH Z5

TECH Z2

TECH Z1 PRO

PRATIX Z5

PRATIX Z2



tech

pratix



| PRATIX N



| PRATIX S



| TOP PLUS



| MULTITECH PLUS



| STARTECH



semi-automatic boring machines

cyflex f900

Born to grant the best.



CNC BORING CENTRE		CYFLEX F900 PRO
Maximum workpiece dimensions X-Y-Z	mm	3050 x 900 x 60
Minimum workpiece dimensions X-Y-Z	mm	200 x 70 x 10
Maximum X-Y axes speed	m/min	40 - 40
Boring head: vertical/horizontal spindles, blade in X	no.	12 / 6
Electrospindle	kW (Hp) - rpm	5,5 (7,5) - 18.000

Productive and versatile due to the worktable that does not require any adjustment, the high capacity boring head and the possibility of performing routing operations.



<http://goo.gl/UXqgD>

cyflex h800

The perfect machine to begin boring successfully.



CNC BORING CENTRE		CYFLEX H810 PRO
Maximum workpiece dimensions X-Y-Z	mm	3050 x 810 x 60
Minimum workpiece dimensions X-Y-Z	mm	200 x 80 x 10
Maximum X-Y axes speed	m/min	25 - 28
Boring head : vertical/horizontal spindles, blade in X	no.	8 / 6

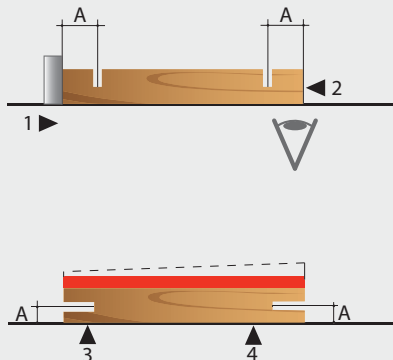
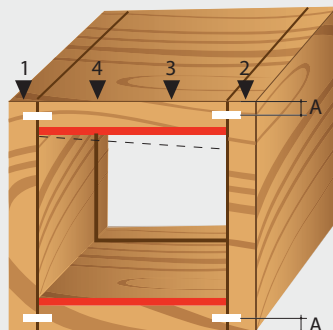
Versatile due to the worktable that does not require any adjustment and the boring head with independent spindles.



<http://goo.gl/ORUA7>

cyflex

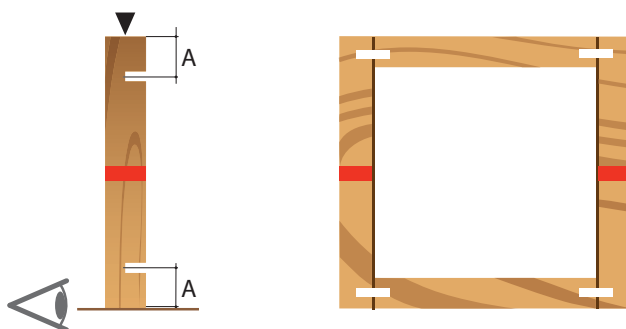
Exclusive features.



toptech

BORING FROM THE TOP = PERFECT FINISH.

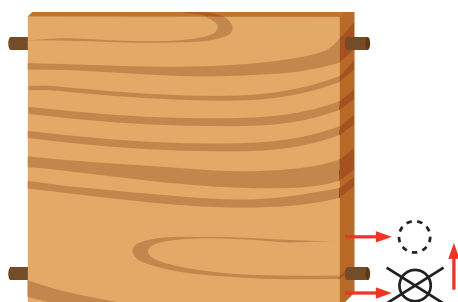
The system of boring from the top uses the outside of the panel as a reference concealing defects; the result is to always move any difference in thickness to the inside of the cabinet.



toptech

AUTOMATIC READING OF THE WORK PIECE LENGTH: PERFECT JOINTS.

Any discrepancy between the actual length of the panel and the one set is corrected by a precision reading laser allowing for perfect alignment.



PROGRAMMED STOP: PRECISION AND FLEXIBILITY FOR EVERY BORING SITUATION.

No longer a problem to machine work pieces with dowels or an accentuated radius due to the possibility to programme the position of the "zero" stop as required.

cyflex f900 pro B, BR



**WORKTABLE:
ZERO SET UP TIME.**

The study of the worktable has been aimed to help operators deal with **any work without the slightest adjustment.**

**BORING AND DOWEL INSERTION:
THE COMPLETE WORKING CYCLE.**

No longer any waste of time due to the panel moving around the workshop, with the possibility of **gluing and inserting dowels directly on the machine.**

cyflex f900 pro B



BORING HEADS: NO MORE MACHINE DOWNTIME.

The sturdiness of **Scm** boring heads is proven by the frequency of required maintenance, only every 1000 hours, five times better than that imposed by the majority of other machine manufacturers: **indestructible and with low maintenance.**

cyflex

Work table.



**WORKTABLE:
ZERO SET UP TIME.**

The study of the worktable has been aimed to help operators deal with **any work without the slightest adjustment**. Every drill bit, horizontal or vertical, as well as the blade, has a dedicated space available to allows to drop down whatever is the position of the hole.



SIDE ALIGNMENT DEVICE: PERFECT MACHINING FOR ASSEMBLY.

The very best panel holding even with the most difficult situations with the automatic side alignment device (cyflex f900 pro B and BR) or manual adjustable side alignment device (cyflex h810 pro).

Operating group and boring head.



**ROUTING GROUP:
APPROACHS MACHINING CENTRES.**

- F18 boring head
 - electrospindle for vertical routing with 5,5 kW motor power - 18000 rpm
- cyflex f900 pro BR*

F18 BORING HEAD.

with 12 independent vertical spindles, 4 horizontal spindles along X axis, 2 horizontal spindles along Y axis and integrated blade in X (120 mm maximum diameter).

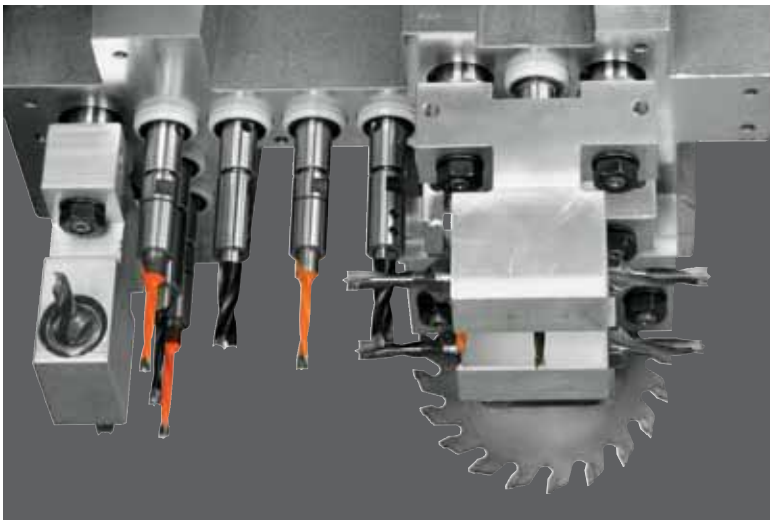
cyflex f900 B, BR



F14 BORING HEAD.

with 8 independent vertical spindles, 4 horizontal spindles along X axis, 2 horizontal spindles along Y axis and integrated blade in X (120 mm maximum diameter).

cyflex h810 pro



cyflex

Electronic control.



XILOG FROM THE SCM GROUP: SIMPLY-PRO.

Ease of use and very high power with Xilog, the same software installed on the routing machines. Possibility to integrate the machine in a working cell thanks to the Netline technology.

cyflex f900 pro B, BR

CNC CONTROL WITH TOUCH-SCREEN FUNCTION: SIMPLE AND SPONTANEOUS.

Ease of use with the minimum of detail required makes the machine suitable for non-skilled operators with the pc.

- dedicated software
- 15" touch-screen display allowing operations without a mouse and keyboard
- possibility to import programs from an external cam

cyflex h810 pro



Other devices.

BORING AND DOWEL INSERTION: THE COMPLETE WORKING CYCLE.

No longer any waste of time due to the panel moving around the workshop, with the possibility of **gluing and inserting dowels directly on the machine (along the X axis)**, due to Scm's patented device using glue capsules. With this method there is no waste of time by avoiding the cleaning of the traditional gluing nozzles.

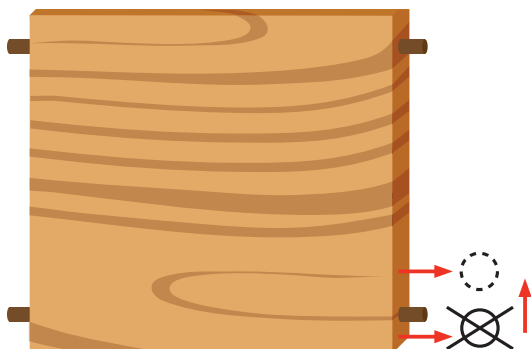
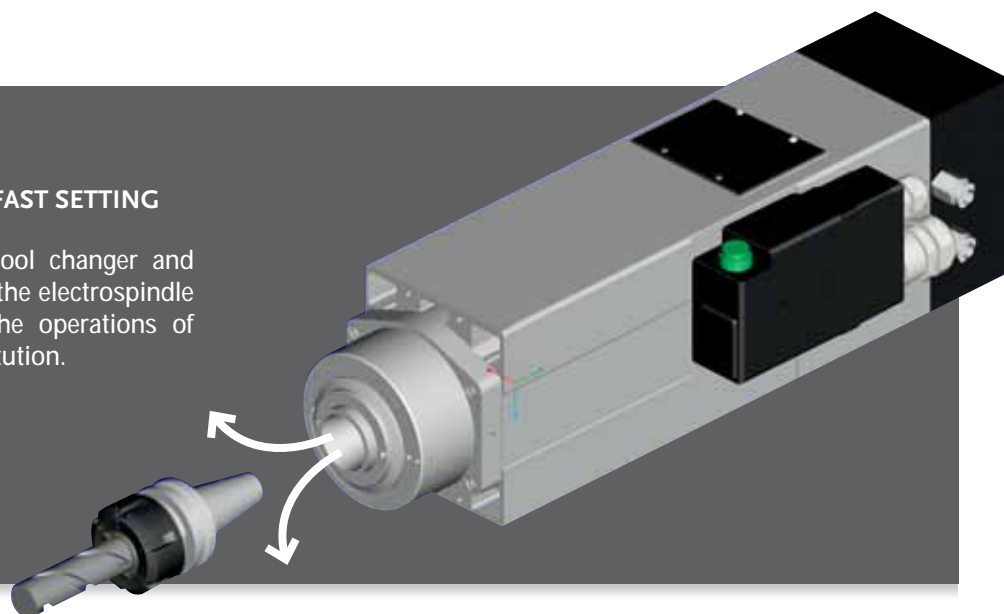
cyflex f900 pro B



ELECTROSPINDLE: FAST SETTING UP SPEEDS.

With ISO 30 rapid tool changer and 4,5 kW motor power, the electrospindle notably speeds up the operations of tool and cutter substitution.

cyflex f900 pro BR



PROGRAMMED STOPS: PRECISION AND FLEXIBILITY FOR EVERY BORING SITUATION.

No longer a problem to machine work pieces with dowels or an accentuated radius due to the possibility to programme the position of the "zero" stop as required. The stop also guarantees an absolutely precise "zero" point.

cyflex f900 pro B, BR

cyflex

Other devices.



**Centralised
lubrication with
manual pump.**
cyflex h810 pro

**Automatic
centralised
lubrication
managed using
NC control.**
cyflex f900 pro B, BR



No error when loading work pieces

A system for the automatic reading of the panel width allows the machine to control the logic between the program and the loaded panel.

cyflex f900 pro B, BR



Telesolve

Teleservice system to connect the machine's PC to the service department by means of the internet.

cyflex f900 pro B, BR

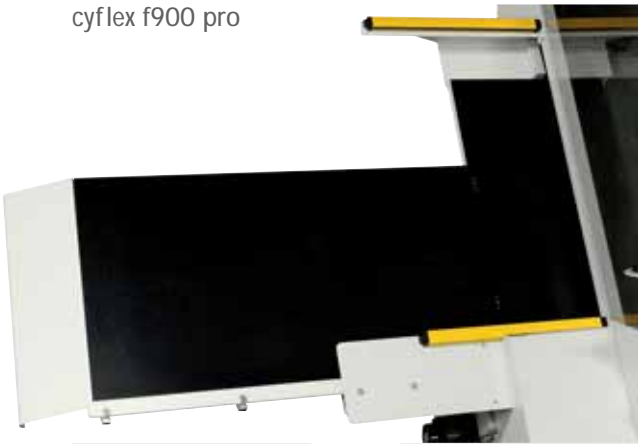
Electrical cabinet

with air conditioner which maintains the temperature at around 18°C (option).

A.C.



cyflex f900 pro

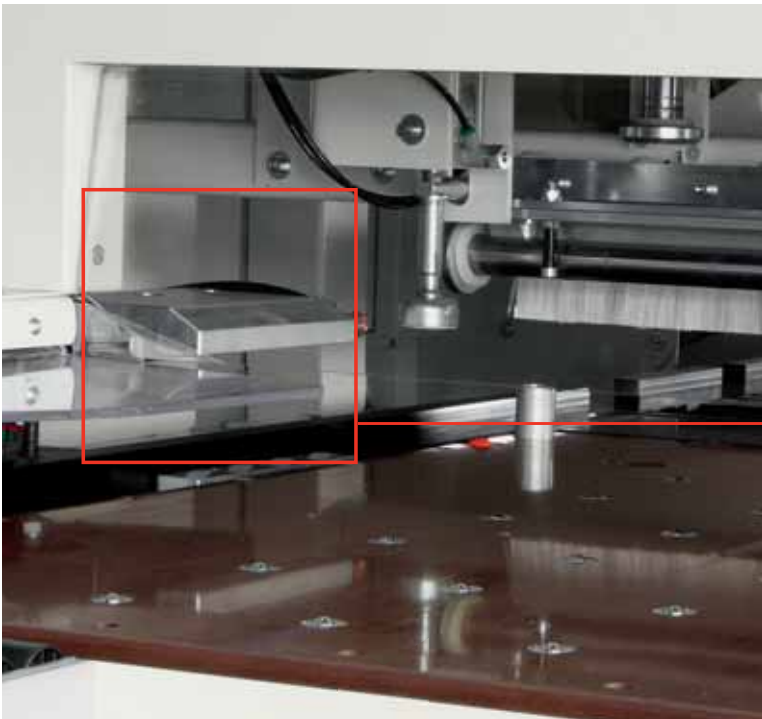


cyflex h810 pro



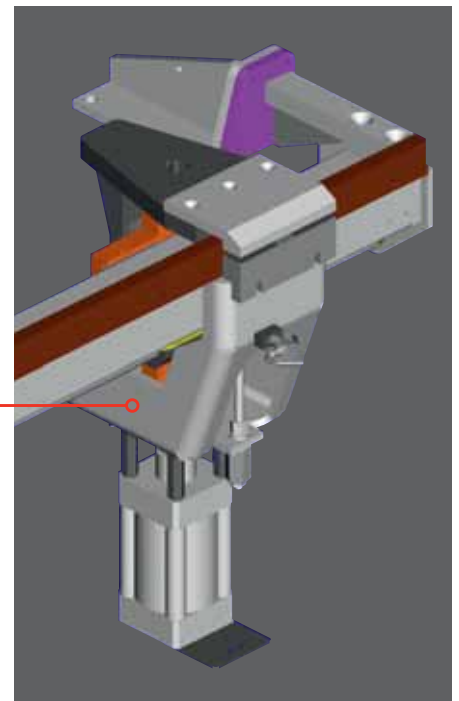
Side supports

Worktable with side extensions for a reliable and precise support of the longer workpieces. On cyflex h810 pro the support can be excluded.



Air-blowing work table

- The air blowing system facilitates the sliding of delicate or heavy materials on the table **and protects against the risk of friction**
 - **Maximum work piece clearance** due to the floating hoods system
- cyflex h810 pro*



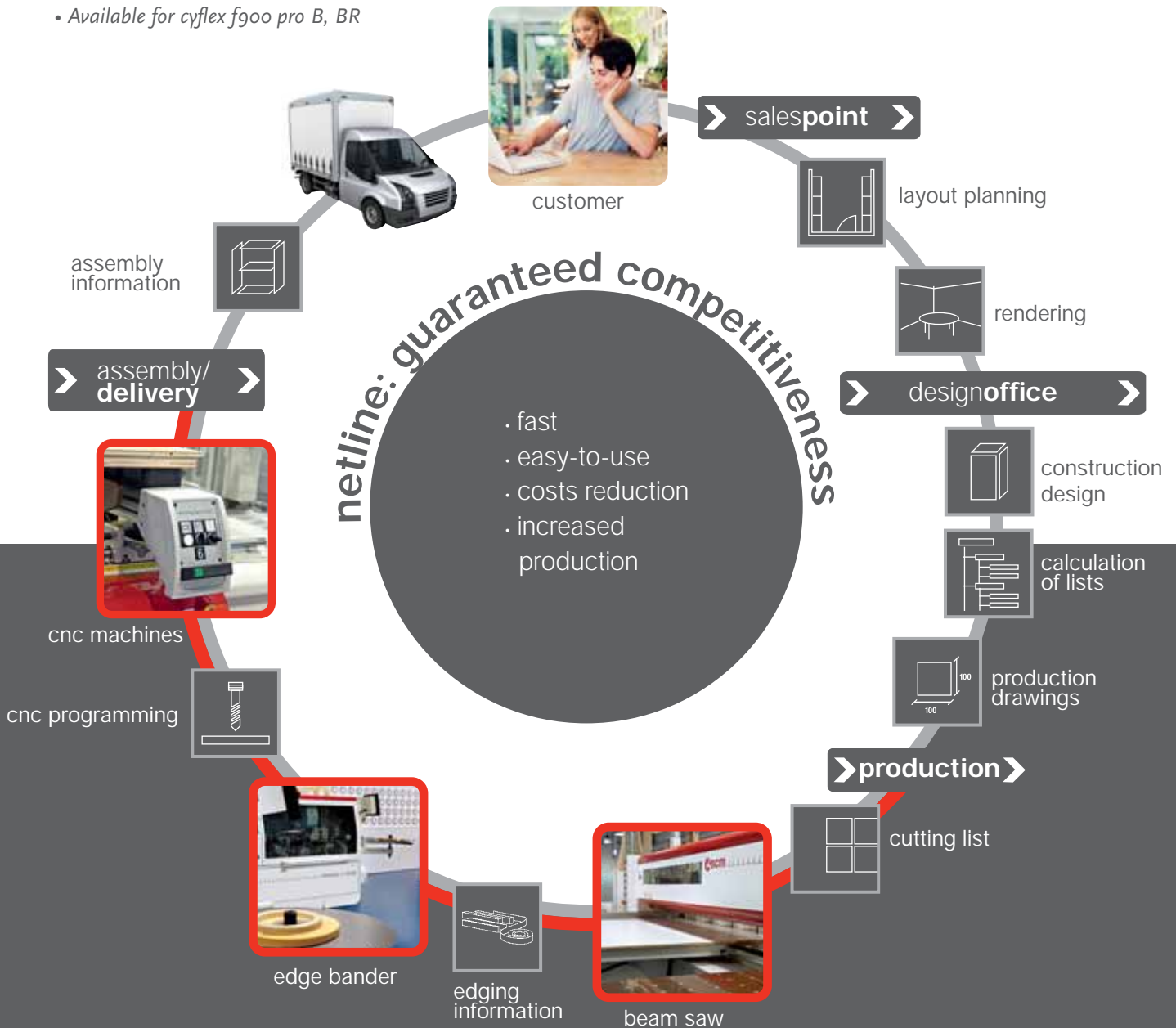
Floating clamp: the “heart” of the machine

- The very best work piece clamping devices guarantees **perfect joints** even in the most difficult cases.
- powerful over 300 kg
 - lower floating opening
 - 65 mm clamp opening

scmnetline

Guaranteed competitiveness!

• Available for cyflex f900 pro B, BR



netline: integrated processing advantages

- **Fast:** very high execution speed and production time reduced to a minimum
- **Easy-to-use:** does not require skilled operators
- **Costs reduction:** a few minutes from design to production
- **Increased productivity:** the software-machine integration sets to zero the programming time due to the automatic and immediate switching of information from design to production

OUR SOFTWARE PARTNERS

YOURCAD imos Italia

Delcam

alphacam

ATool

SPAI Software Solutions

cyflex

Machines set up for all requirements.

SET UP

cyflex f900 pro br

- ▶ F18 boring head
 - ▶ Bakelite table with low friction
 - ▶ "TP" detecting system for calibrating of opposite panel side reference
 - ▶ 5,5 kW electros spindle
 - ▶ Side supports for machining long work pieces
 - ▶ Automatic centralised lubrication
 - ▶ Panel width measurement device
 - ▶ Telesolve
 - ▶ Supplementary hardware key for Xilog Tech-PC Office (for USB port)
-

cyflex f900 pro b

- ▶ F18 boring head
 - ▶ Bakelite table with low friction
 - ▶ "TP" detecting system for calibrating of opposite panel side reference
 - ▶ Side supports for machining long work pieces
 - ▶ Automatic centralised lubrication
 - ▶ Panel width measurement device
 - ▶ Telesolve
 - ▶ Supplementary hardware key for Xilog Tech-PC Office (for USB port)
-

cyflex h810 pro

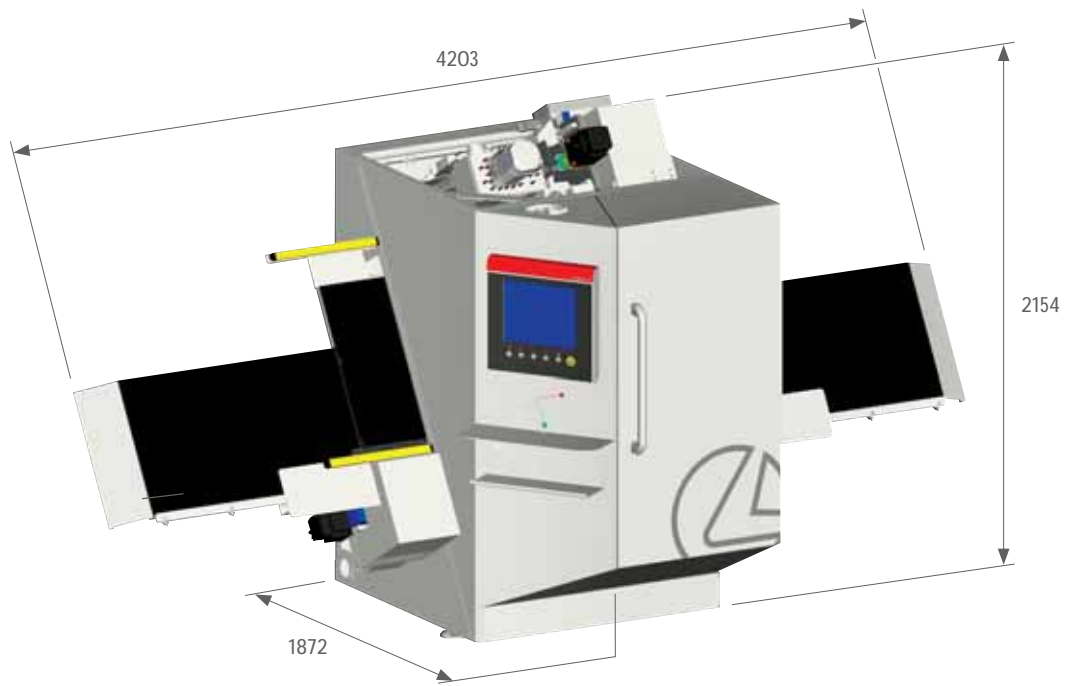
- ▶ F14 boring head
 - ▶ Bakelite table with low friction
 - ▶ "TP" detecting system for calibrating of opposite panel side reference
 - ▶ Side supports for machining long work pieces
 - ▶ Centralised lubrication
-



cyflex

Overall dimensions.

cyflex f900 ▶



cyflex h800 ▶



scm
 minimax
 scm tecmatic

scm
 routech
 celaschi
 dmc
 superfici
 sergiani
 gabbiani
 morbidelli
 mahros
 stefani
 cpc
 sag
 scmgroup
 engineering
 delmac
 engineering
 scmfonderie
 steelmec
 hiteco
 es
 csr

CMS Cms
 wood technology

CMS Cms
 advanced materials technology

CMS Brembana
 stone technology

CMS Brembana
 glass technology

CMS CmsPlast
 plastic technology

CMS Tecnocut
 waterjet technology

CMS Balestrini

1 large integrated group
 18 production sites
 29 specialist brands
 21 foreign branches
 more than 50 years in business
 70% exported
 350 agents and distributors
 365 registered patents
 500 engineers
 3.000 square metres of showroom
 10.000 classical and professional
 machines manufactured per year
 240.000 square metres
 of production space

scmgroup
 passiontechnologyperformance



[www.scmgroup.com/
qrcode/v1/](http://www.scmgroup.com/qrcode/v1/)



[www.scmgroup.com/
it/mission_scm](http://www.scmgroup.com/it/mission_scm)

SINCERT



The technical data can vary according to the requested machine composition. In this catalogue, machines are shown with options. The company reserves the right to modify technical specifications without prior notice; the modifications do not influence the safety foreseen by the CE Norms.



SCM GROUP SPA SCM

sales offices: via Casale, 450 - 47826 Villa Verucchio, Rimini - Italy

tel. +39 0541 674111 - fax +39 0541 674274 - scm@scmgroup.com - www.scmgroup.com



00L0130723B