

morbidelli p200

machining centre for drilling, routing and edgebanding



THE AFFORDABLE **ALL-IN-ONE** TECHNOLOGY

UNDERSTAND THE NEEDS TO BE...



morbidelli p200
machining centre for drilling, routing and edgebanding

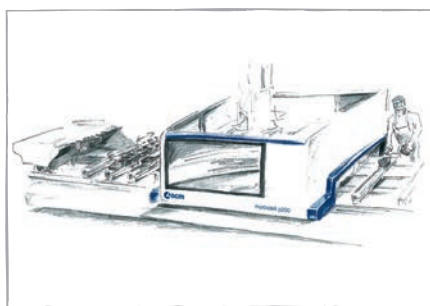
... ALL RESPONSIVE



**EVERYTHING YOU
HAVE ALWAYS
DREAMED OF A
CNC MACHINING
CENTRE BUT WERE
TOO AFRAID
TO ASK**



FREEDOM

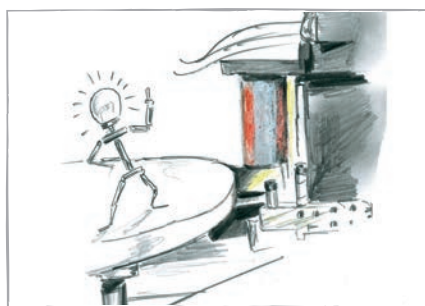


Optimizing the space in your factory due to the PRO-SPACE solution.

Accessible and ergonomic 360° all around, no floor obstructions: all the components are within the base.

Total safety and freedom to load large panels (as wide as 2200 mm) due to the work table being entirely accessible.

TOP QUALITY



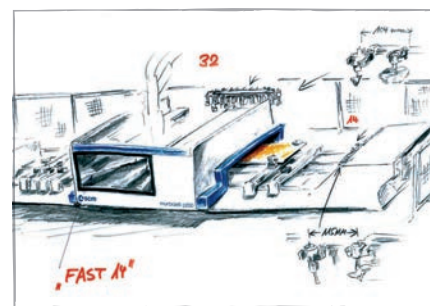
The most performing and compact edgebanding unit that allows the edge application on panels up to 80 mm thick.

Unrivalled finishing with new direct drive **JQX (Just Quality eXtreme)** 5-axis electrospindle.

Reduced maintenance, owing to the **RO.AX (Rotoaxial spindle technology)** drilling bits. It is recommended only after more than 1000 hours of work.

60% of time saved on drilling cycles with the new drill-bits designed to guarantee the best effectiveness on all types of material and building styles.

FASTER



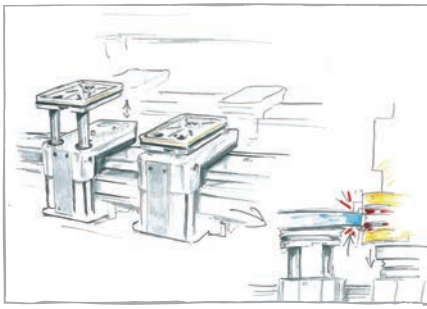
Beyond imagination, up to 60 tools always available on board.

Less than 15" for the tool change with the 14 position **FAST** tool changer.

ALL

morbidelli p200
machining centre for drilling, routing and edgebanding

FLEXIBLE

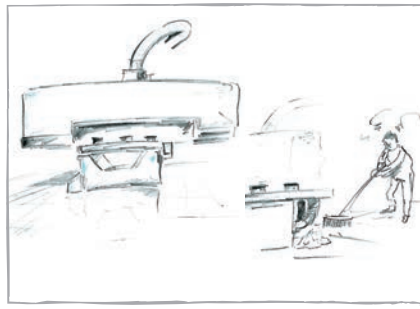


From wood to plastic, from panel to furniture, from kitchen doors to windows.
The right solution configured for all your needs and your investment plan.

Zero idle times for set-up operations and no compromise for the machine performance with the versatility and free configurability of the **TV FLEXDRIVE** and **TV FLEXMATIC** work tables.

With HE-POD the work table becomes 3D: a single positioning and no displacement.

CLEAN



No problem with dust or shavings as a result of the intelligent solution of the dust collection box located in an ergonomic position.

Free space on the floor with the vacuum pump integrated in the machine base.

SOFTWARE



CAD/CAM programming software to design all the production processes.

42 TECHNICAL DATA
43 SERVICE-SPARE PARTS



P2000

TECHNICAL FEATURES OVERVIEW



11 All at your fingertips with the **TECPAD 7"** remote control with colour touch-screen.



13 Rapid working cycles with the 14 position **FAST** tool changer.

12 Free access, having the cable-holder chain enclosed within the machine frame.



10 Intuitiveness and easiness with the APPS included in the Maestro software for doors, stairs, furniture and furnishing elements production.



9 Integrated electrical cabinet with air conditioner.

8 Zero idle times for set-up operations and no compromise for the machine performance with the versatility and free configurability of the **TV FLEXDRIVE** and **TV FLEXMATIC** work tables.





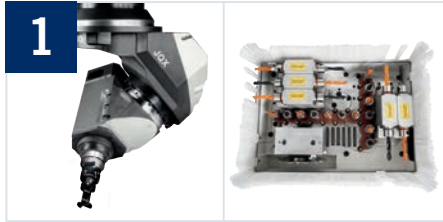
morbidelli p200

machining centre for drilling, routing and edgebanding



14

Wide availability of tools due to the **TRC rear chain tool changer** with 32 positions.



1

Unrivalled finishing with new direct drive **JQX (Just Quality eXtreme)** 5-axis electrospindle.

Reduced maintenance, thanks to the **RO.AX (Rotoaxial spindle technology)** drilling bits. It is recommended only after more than 1000 hours of work.



2

The most performing and compact **edgebanding** unit that allows the edge application on panels **up to 80 mm thick**.



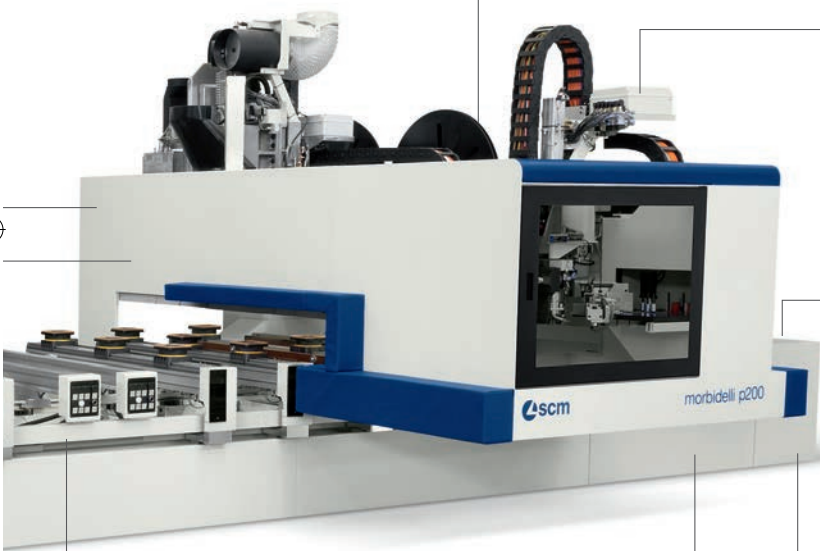
3

TRB tool changer with 14 positions.



4

Free space on the floor with the vacuum pump integrated in the machine base.



6

100% of the working area covered both in routing and in edgebanding operations.



7

The work table becomes 3D: **HE-POD**.



5

No problem with dust or shavings as a result of the intelligent solution of the dust collection box located in an ergonomic position.



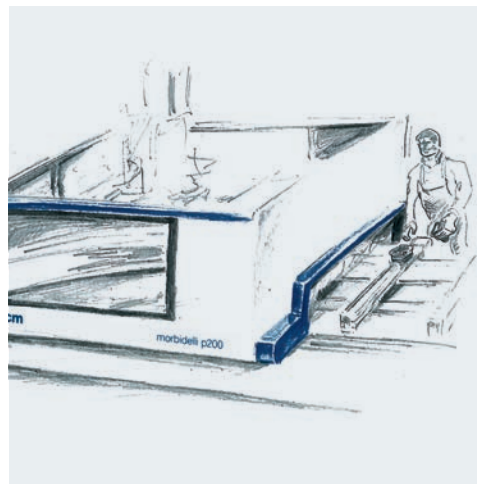
EVERYTHING YOU HAVE ALWAYS DREAMED OF A CNC MACHINING CENTRE BUT WERE TOO AFRAID TO ASK

FREEDOM OF MOVEMENT





ALL FREEDOM



Optimizing the space in your factory due to the PRO-SPACE solution.

Accessible and ergonomic 360° all around, no floor obstructions: all the components are within the base.

Total safety and freedom to load large panels (as wide as 2200 mm) due to the work table being entirely accessible.





FREEDOM

MINIMUM OVERALL DIMENSIONS MAXIMUM SAFETY AND FLEXIBILITY



“PRO-SPACE” PROTECTIONS

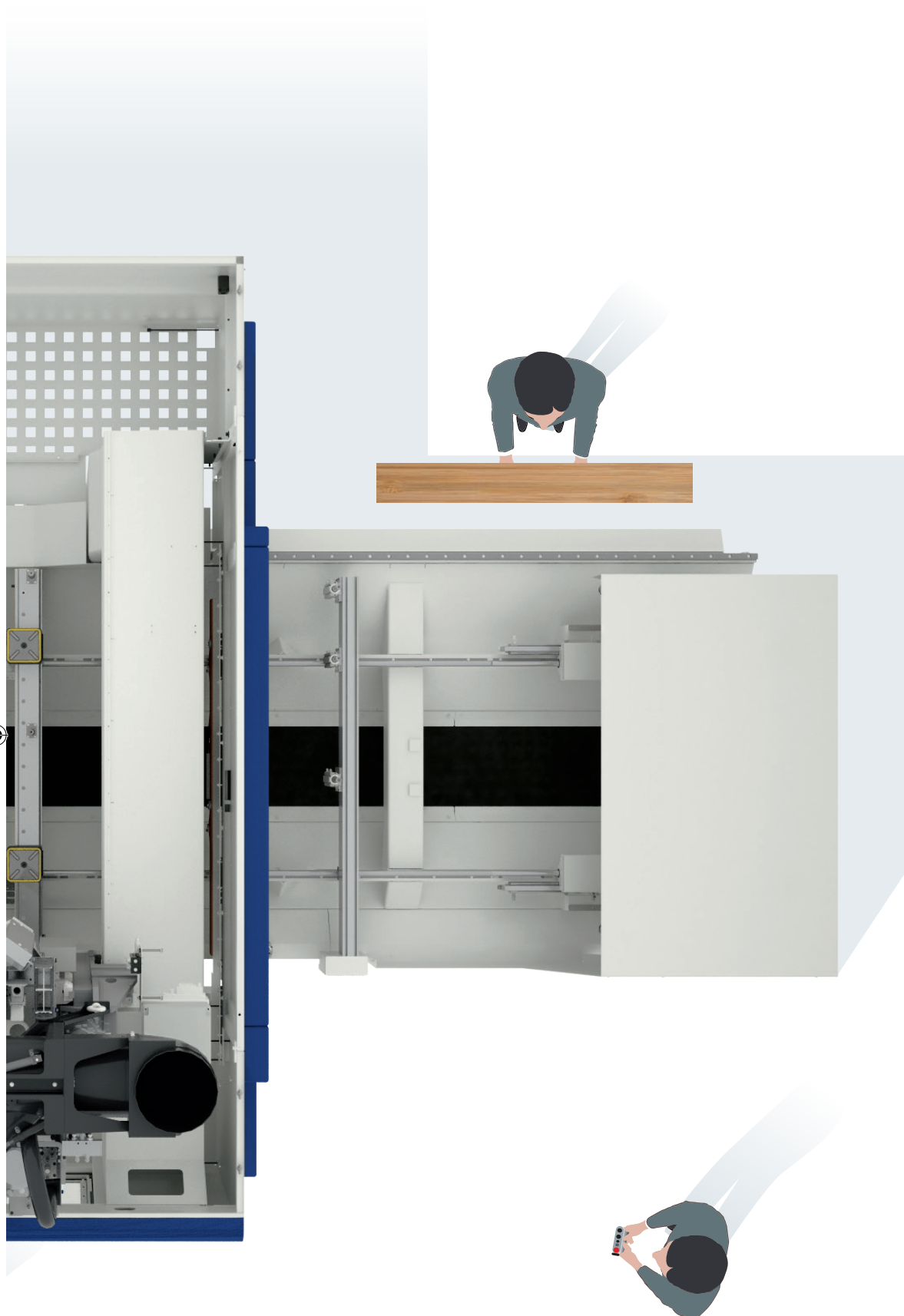
Loading zone completely free in order to reduce to a minimum the space occupied. The absence of perimeter protections facilitates the work table access on all the sides of the machine.





morbidelli p200

machining centre for drilling, routing and edgebanding



FREEDOM

SAFETY SYSTEMS

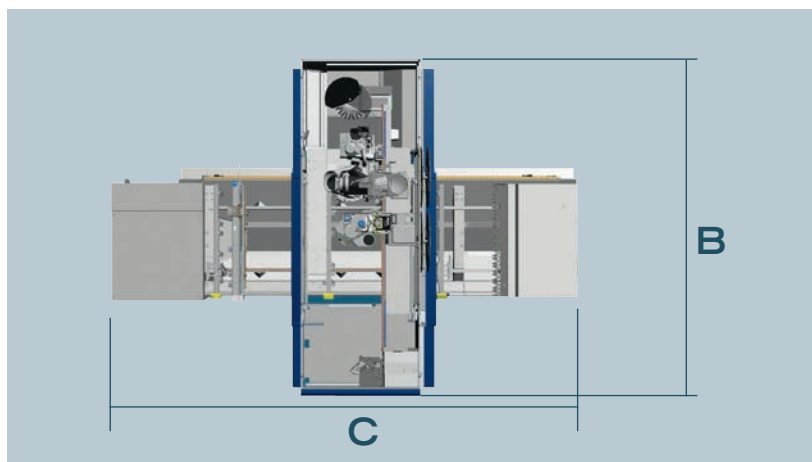
GUARANTEED SAFETY: BUMPERS PROTECTIONS

Fully safe machining with the bumpers safety system which lock the machine in case of accidental contact with the operator.



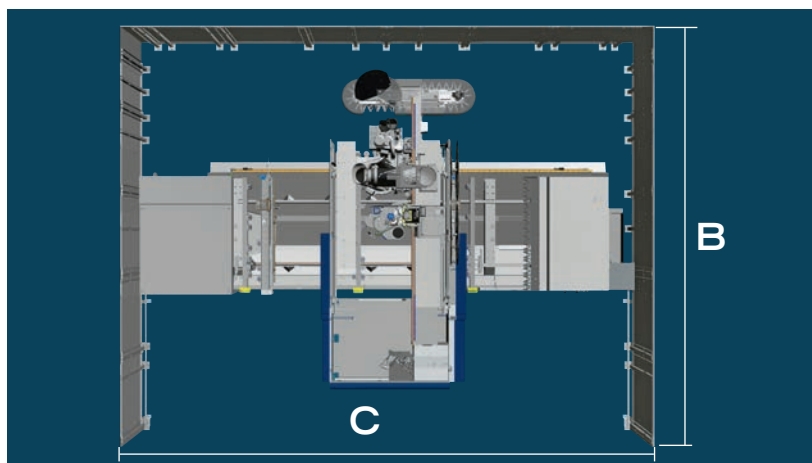
MINIMUM OVERALL DIMENSIONS MAXIMUM SAFETY AND FLEXIBILITY: PRO-SPACE PROTECTIONS

Loading zone completely free in order to reduce to a minimum the space occupied. The protections allow the machine to be used with a feed speed up to 25 m/min in X direction. The absence of perimeter protections facilitates the work table access on all the sides of the machine.



TOTAL FREEDOM AND HIGH PRODUCTIVITY: PRO-SPEED PROTECTIONS

Protection system for the machine use to the maximum speed of 60 m/min. When the operator enters into the loading area, which is delimited by the front photocell barrier, the machine automatically reduces the speed; when the operator leaves the loading area, the system restores the maximum speed.





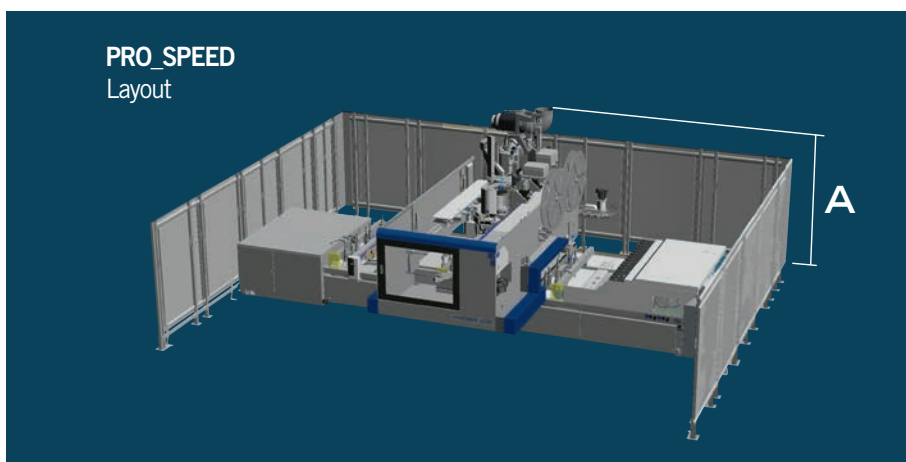
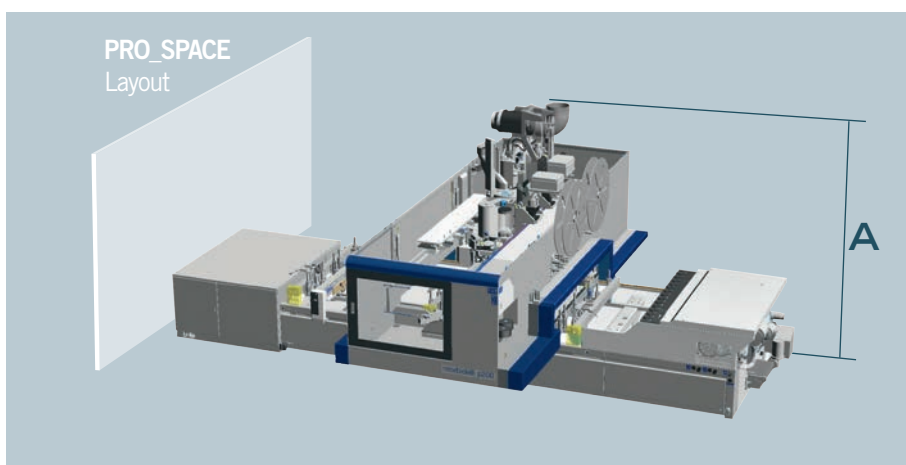
morbidelli p200

machining centre for drilling, routing and edgebanding

OVERALL DIMENSIONS

		A	B		C	
			PRO-SPACE	PRO-SPEED	PRO-SPACE	PRO-SPEED
MORBIDELLI P200 WORK TABLE						
Working area 3110 x 1600	mm	2780	4600 (5600*)	5740	6780 (7130*)	7300
Working area 3710 x 1600	mm	2780	4600 (5600*)	5740	7380 (7730*)	7900
Working area 5510 x 1600	mm	2780	4600 (5600*)	5740	9180 (9530*)	9700

* It includes the operating area

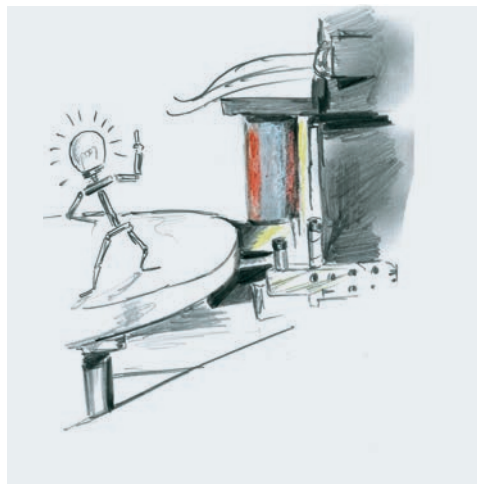


EVERYTHING YOU HAVE ALWAYS DREAMED OF A CNC MACHINING CENTRE BUT WERE TOO AFRAID TO ASK

FIRST-RATE EDGEBOARDING



ALL TOP QUALITY



The most performing and compact edgebanding unit that allows the edge application for panels up to 80 mm thick.

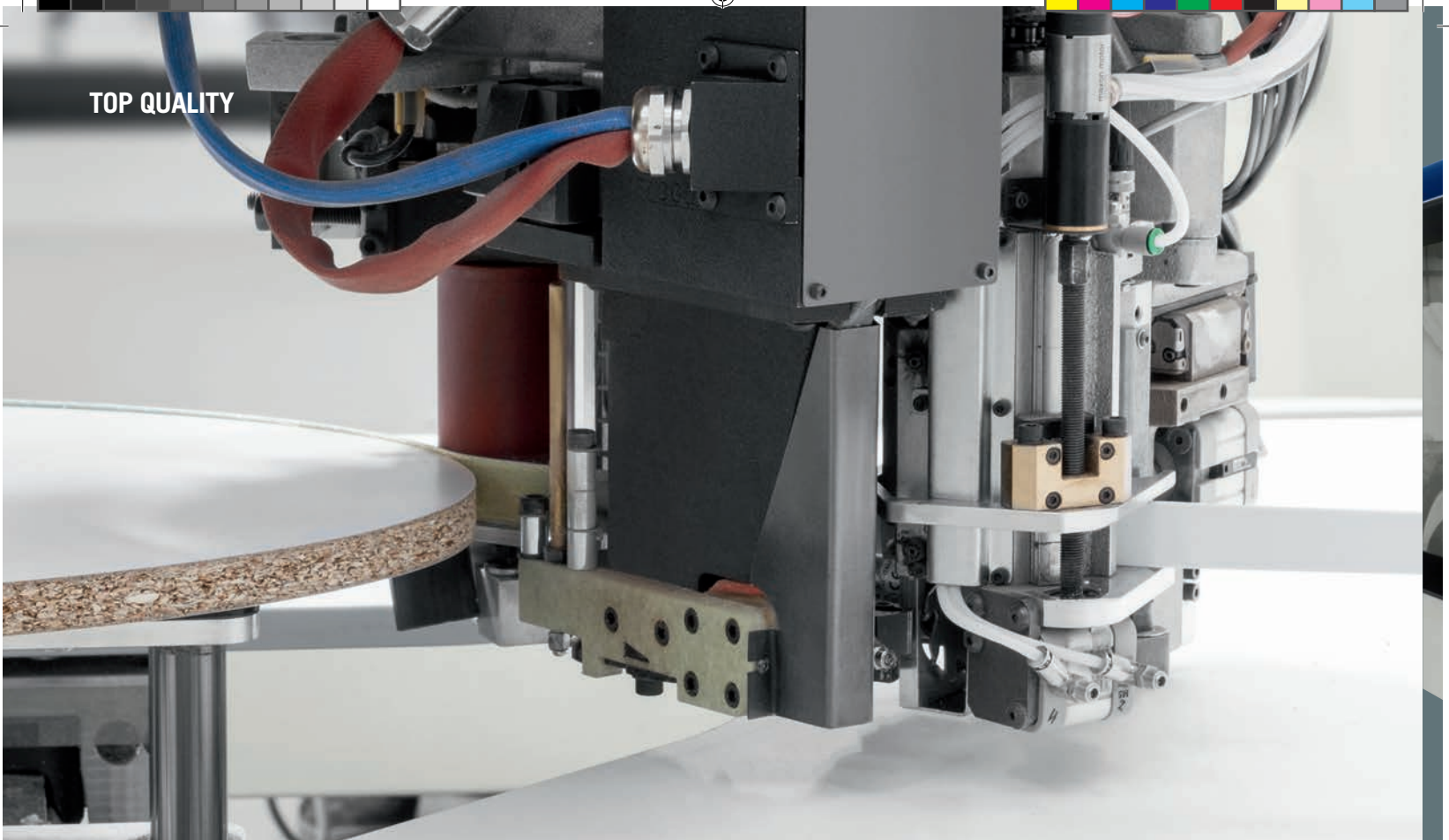
Unrivalled finishing with new direct drive **JQX** (Just **Q**uality **eX**treme) 5-axis electrospindle.

Reduced maintenance, owing to the **RO.AX** (Rotoaxial spindle technology) drilling bits. It is recommended only after more than 1000 hours of work.

60% of time saved on drilling cycles with the new drill-bits designed to guarantee the best effectiveness on all types of material and building styles.

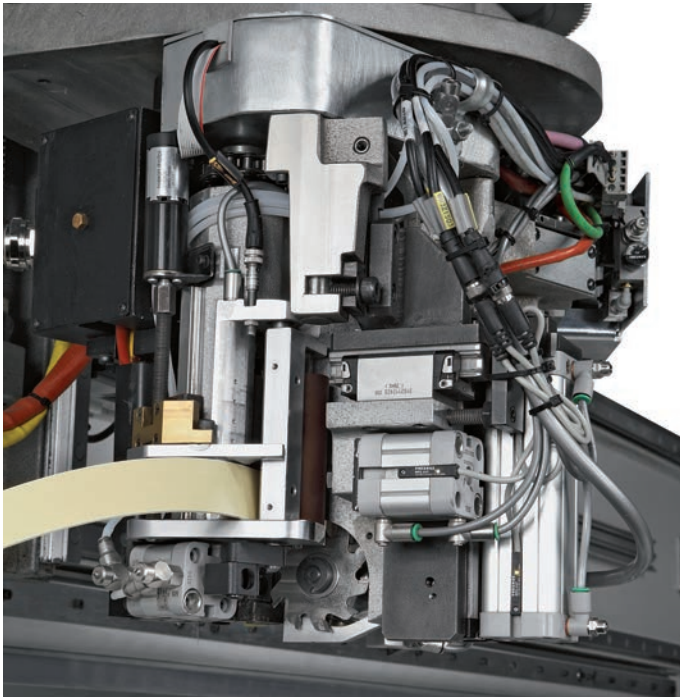


TOP QUALITY



COMPACT AND RELIABLE: EDGEBANDING UNIT

The most performing and compact edgebanding unit that allows the edge application up to 84 mm high for panels up to 80 mm thick.



The automatic adjustment of the edging vertical limiters allows maximum machining flexibility, working in rapid succession on panels with different thicknesses; it is particularly effective for batch 1 production.



The new **SBRINDLE** device can precisely detect the position of the tapes' edge "on-the-fly" and without slowing down, allowing 0/360° junctions on constant geometry stretches with minimum length of 80 mm.

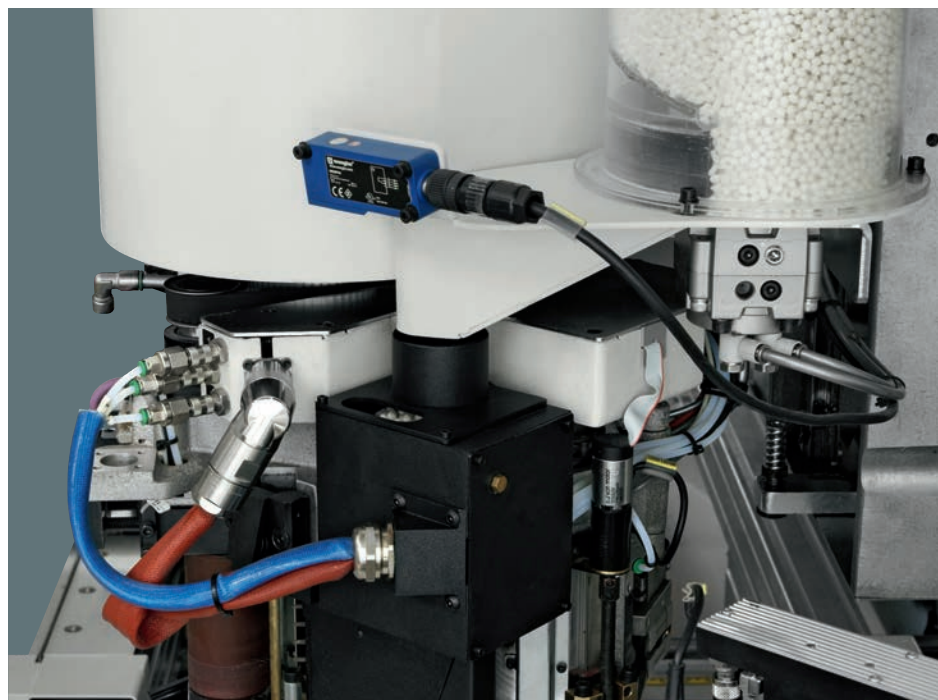


morbidelli p200
 machining centre for drilling, routing and edgebanding

The edging magazine can always make available the best suited to the machining set. Selection, feeding and supply speed are managed by the numeric control.

GLUING UNIT

The quick change glue tank has a unique design with a spreading roller featuring a built-in heating element to guarantee uniform gluing and lasting adhesive chemical properties for the best possible product performance. Fast change-over allow preventive maintenance or a change of glue (colour or type), slashing down times.



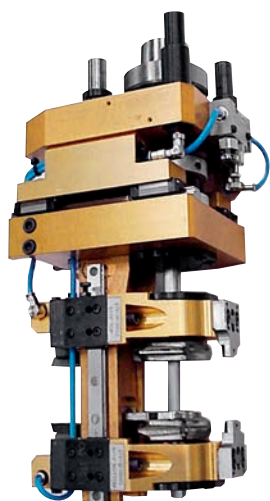
Glue is loaded in masked times into the granule feed system.

TOP QUALITY

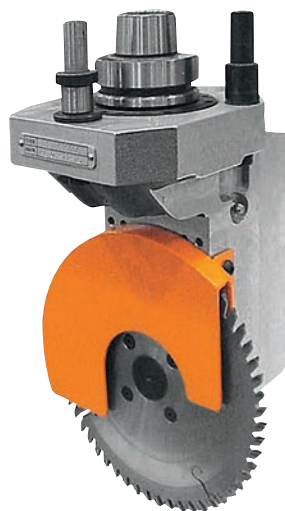


EDGEBANDING

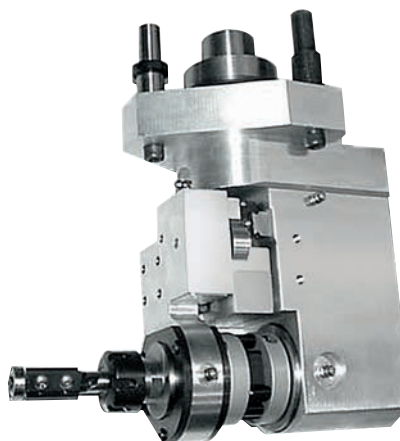
FINISHING HEADS AND AGGREGATES



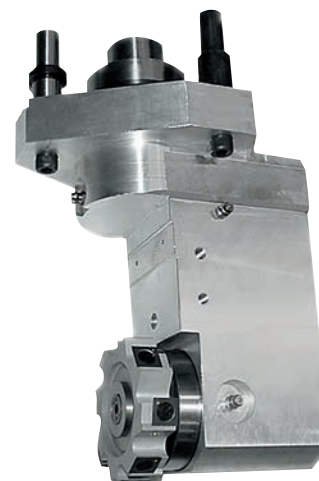
Multifunction trimmer + edge scraper unit



Blade unit for edging end trimming



Head for post-formed panels

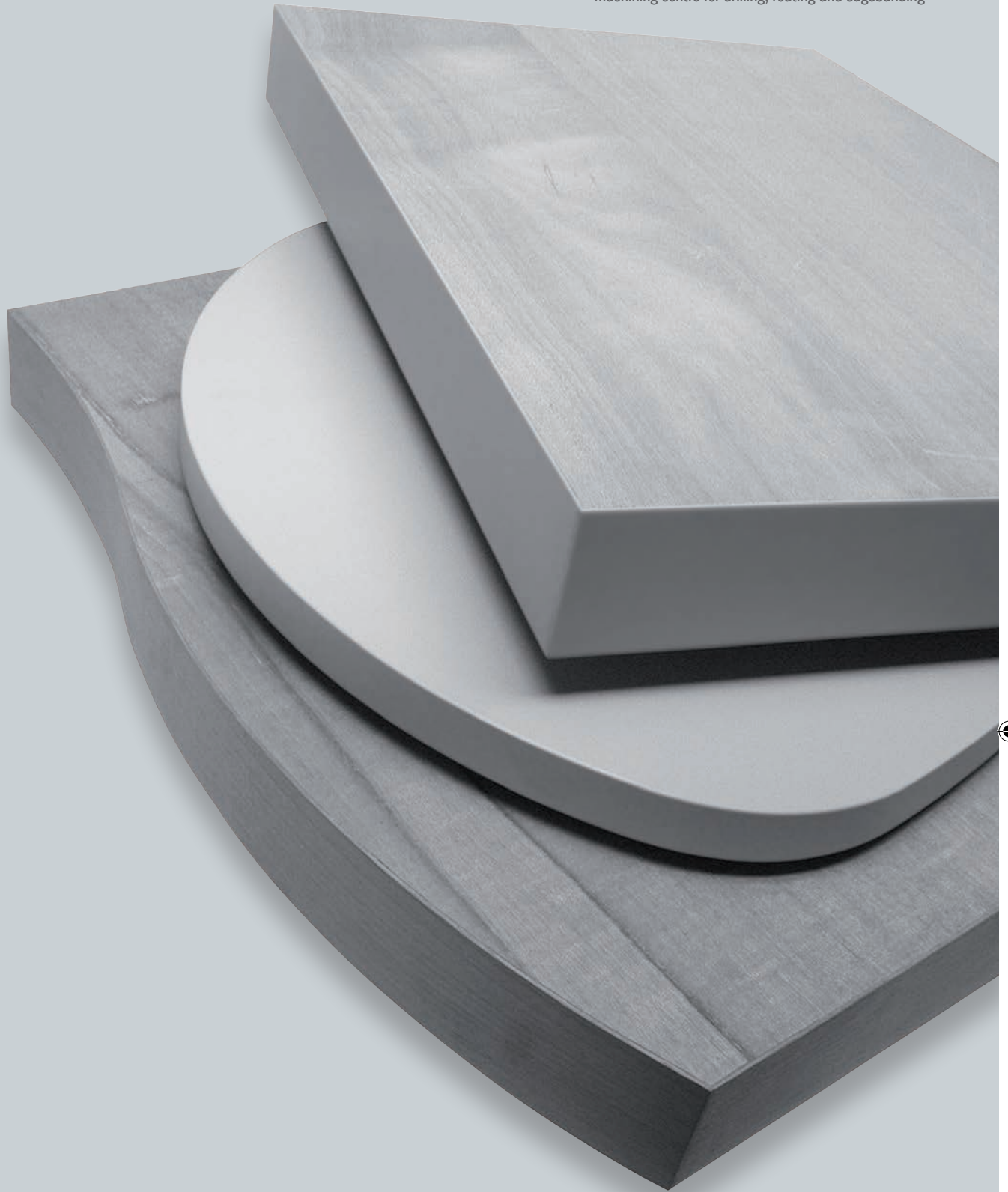


Head for cleaning 90° internal angles



morbidelli p200

machining centre for drilling, routing and edgebanding



Edge trimming.



Edge scraping.



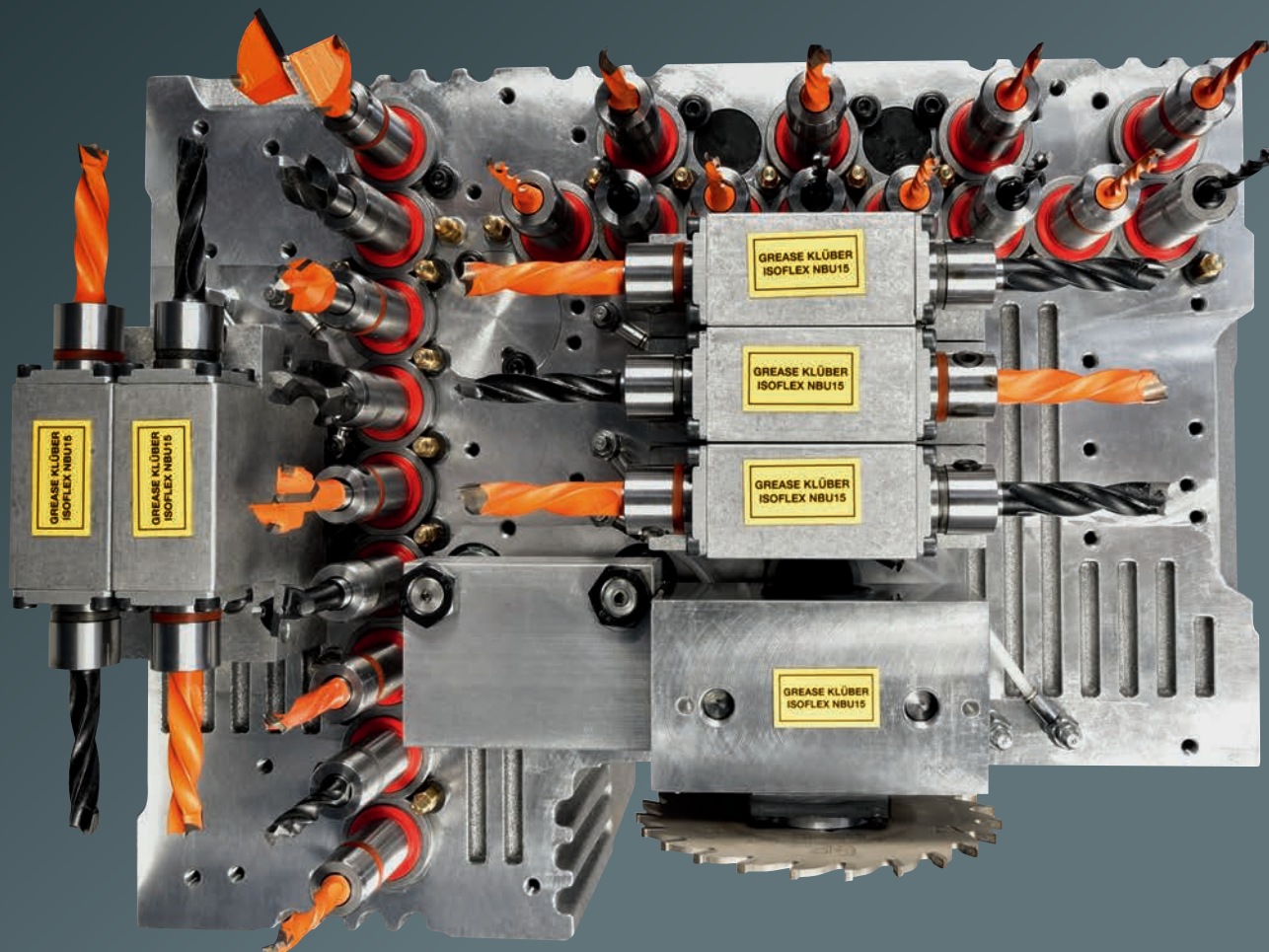
TOP QUALITY

OPERATING UNIT: DRILLING UNIT

The higher drilling capacity in its category up to 21 vertical spindles, 12 horizontal spindles and an independent blade unit.

INDESTRUCTIBLE AND WITH LOW MAINTENANCE

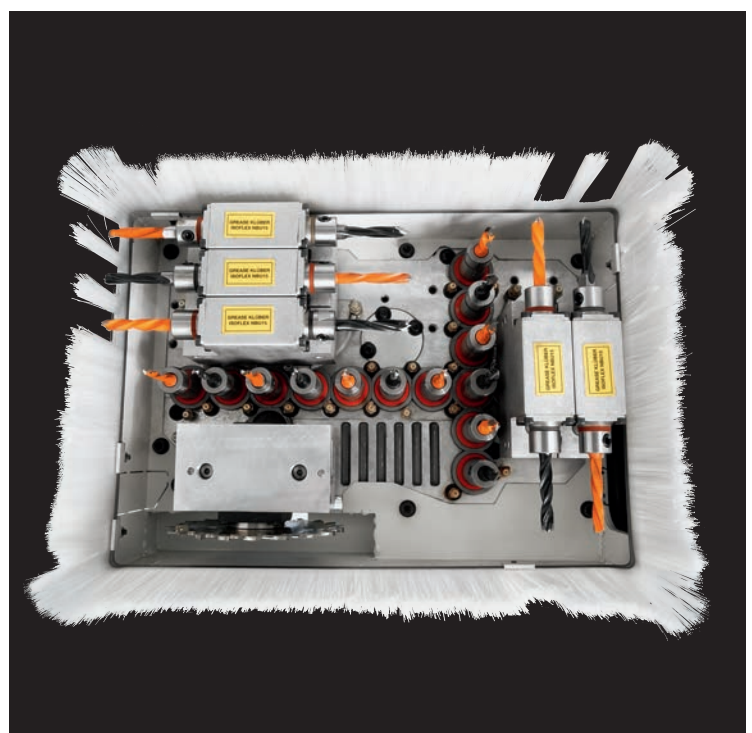
The sturdiness of drilling heads is proven by the reduced maintenance costs: it is recommended only after more than 1000 hours of work.





morbidelli p200

machining centre for drilling, routing and edgebanding



60% of time saved on drilling cycles with the new drill-bits designed to guarantee the best effectiveness on all types of material and building styles.

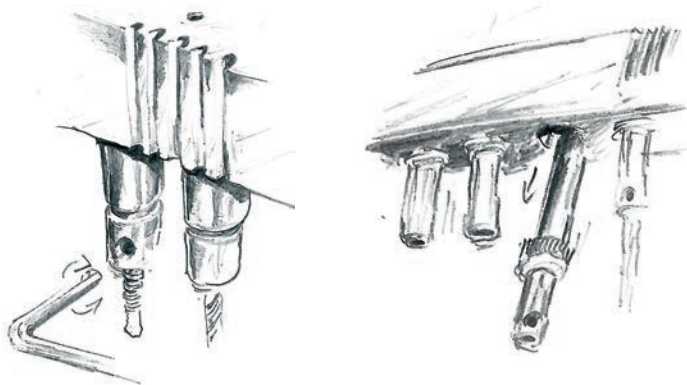
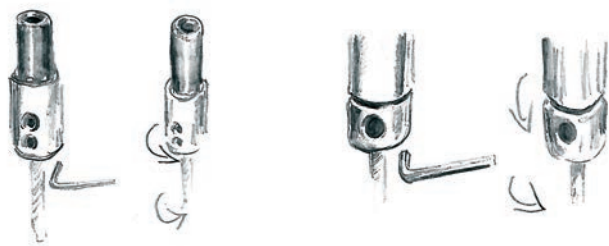
TOP QUALITY

THE PERFECT DRILLING



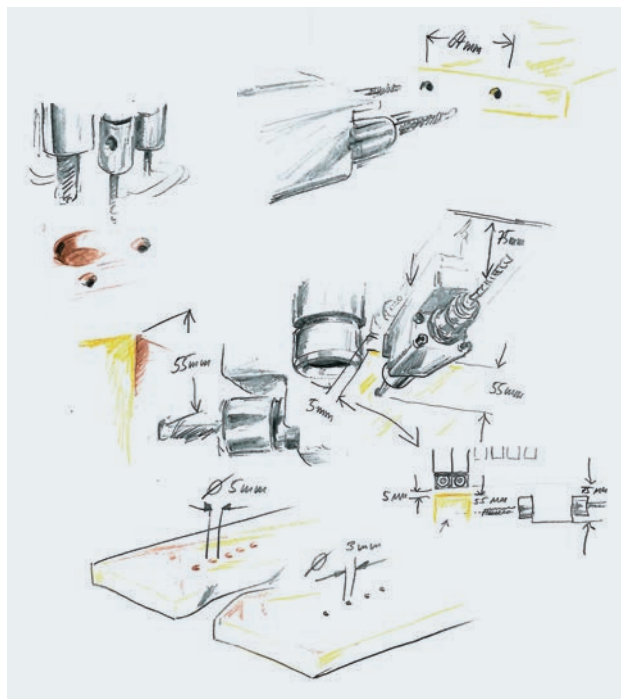
RO.AX SPINDLE

Zero play during machining with the new RO.AX technology (Rotoaxial spindle technology), the most efficient spindle on the market with rotation speeds up to 8000 rpm.



High performance drilling units owing to the spindles with innovative design. The new drilling spindle offers optimal solutions to achieve the highest quality of finishing and the maximum speed of the whole execution:

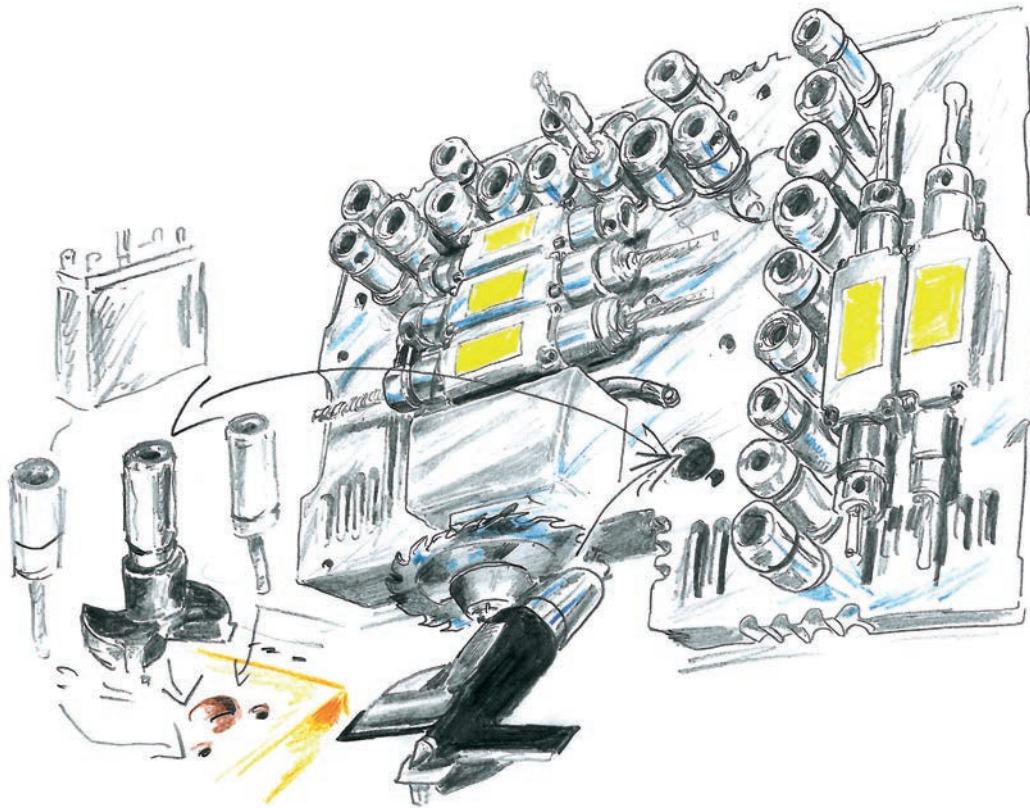
- **more than 50% increase in rigidity:**
rod spindle diameter from 20 mm
- **reduction of vibrations and guaranteed drilling quality on all materials:**
rod spindle guide system with special roll bearings
- **lower operation noise and more rigidity:**
absence of radial friction between spindle and rotating bearings
- **reduced maintenance costs:** new system to disassemble every spindle
- **more reliability:** less components employed





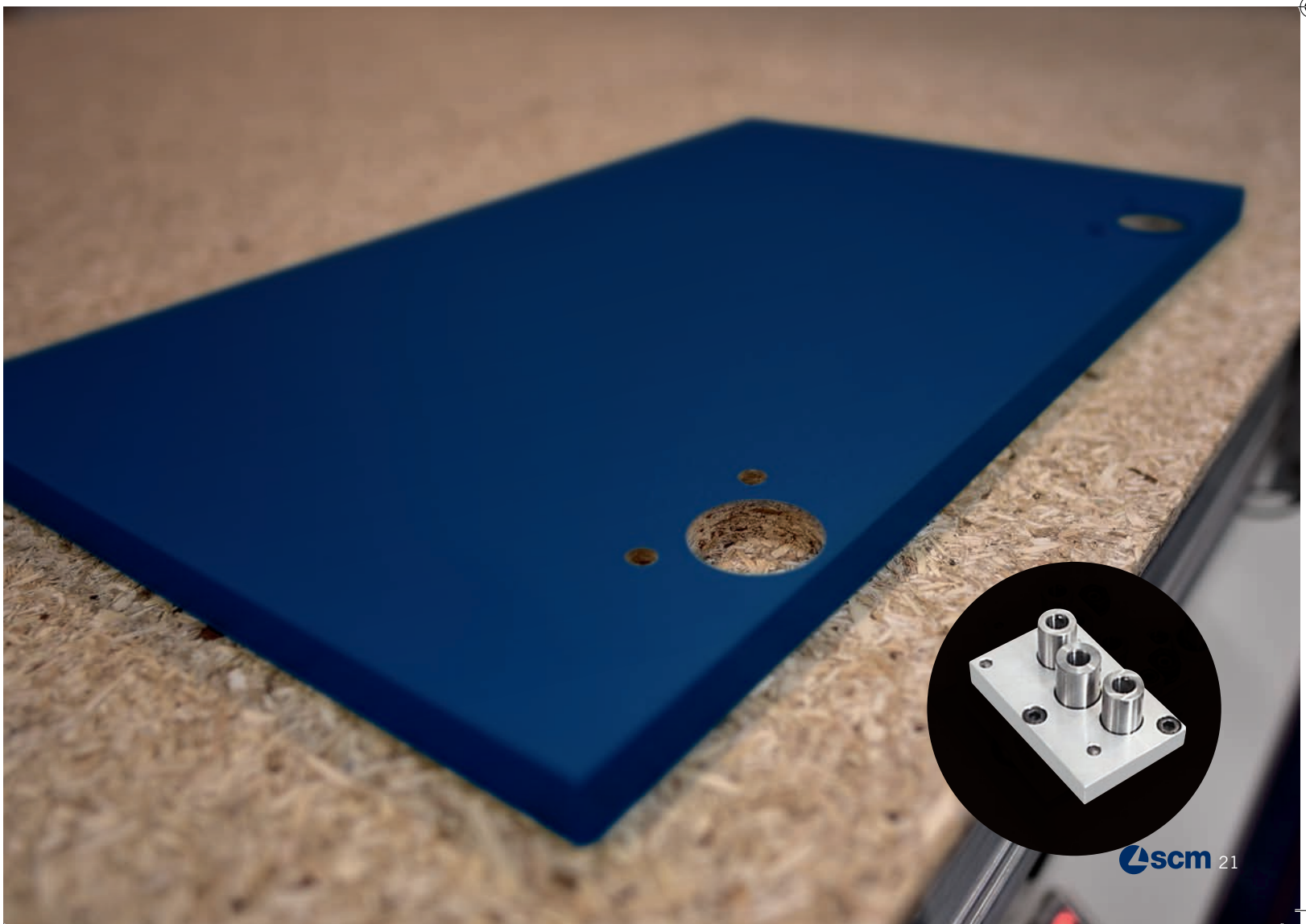
morbidelli p200

machining centre for drilling, routing and edgebanding



HINGE DRILLING: ONE STEP WORTH THREE!

Possibility to carry out 3 simultaneous drillings with a single head integrated in the main drilling unit.



TOP QUALITY

UNIVERSAL, HIGH SPEED ROTATION

TO PRODUCE OBJECTS
WITH ANY KIND
OF SHAPE ON ANY
KIND OF MATERIAL

JQX ELECTROSPINDLE

Very high finishing quality with the **JQX** (Just **Q**uality **eX**treme) 5-axis electrospindle, with direct drive and up to 12 kW power, which ensures total absence of vibrations even with large material removals at high speeds.

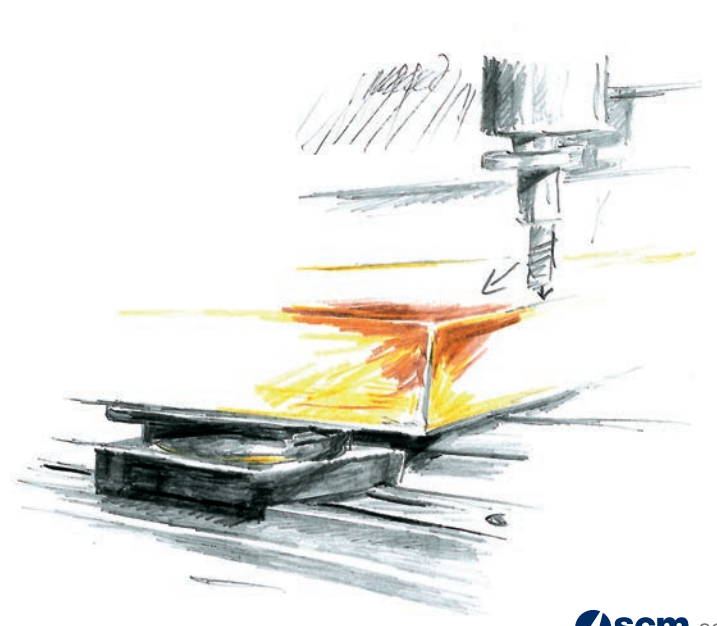
The lightweight structure and the excellent price/quality ratio make this electrospindle ideal for those who are looking for a flexible and practical product but with high level performance.





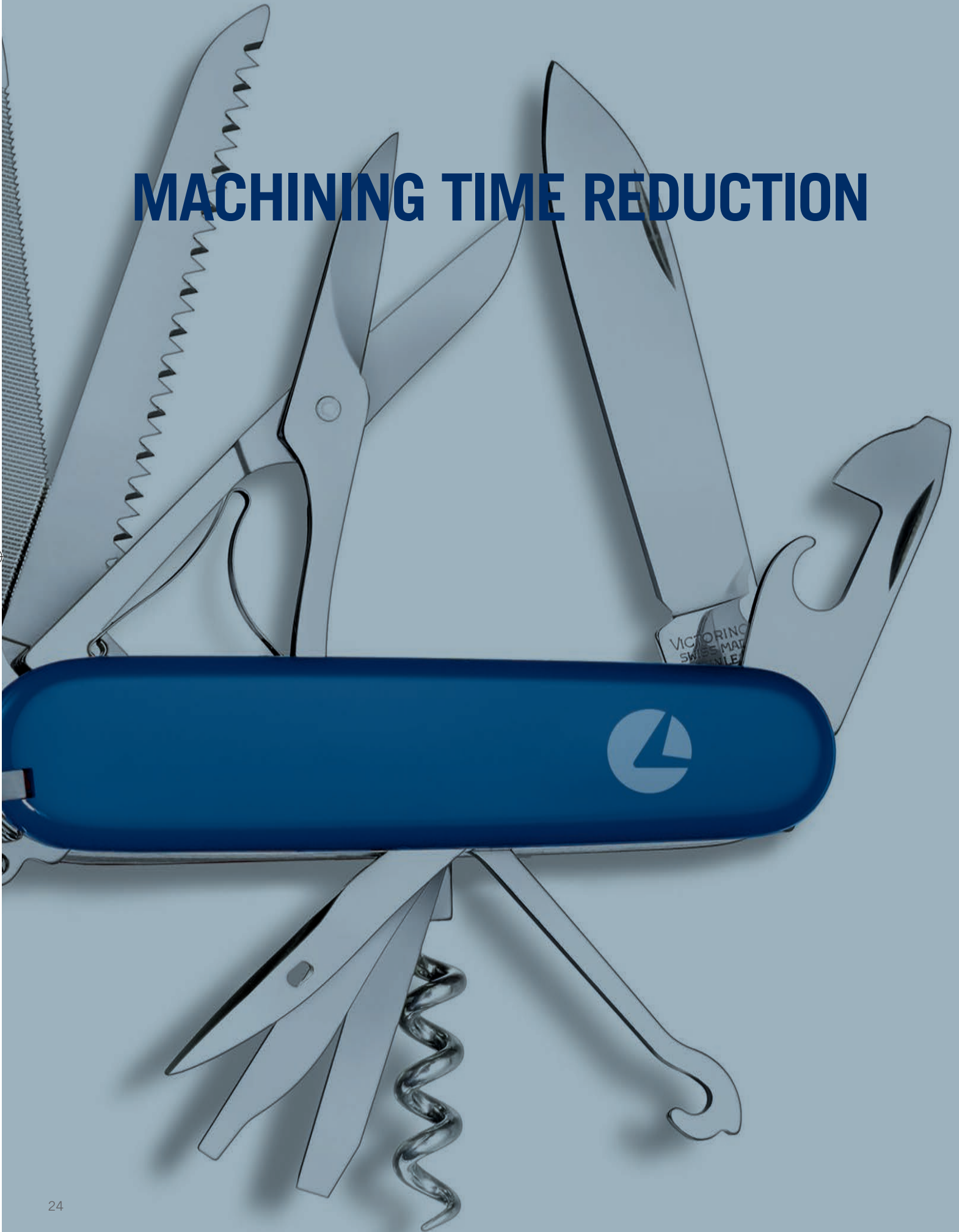
morbidelli p200

machining centre for drilling, routing and edgebanding



EVERYTHING YOU HAVE ALWAYS DREAMED OF A CNC MACHINING CENTRE BUT WERE TOO AFRAID TO ASK

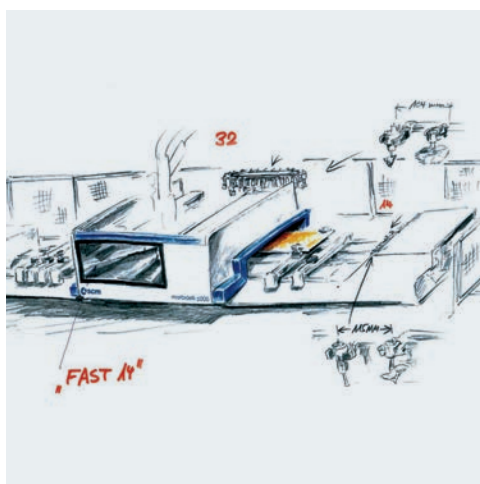
MACHINING TIME REDUCTION





morbidelli p200
machining centre for drilling, routing and edgebanding

ALL FASTER



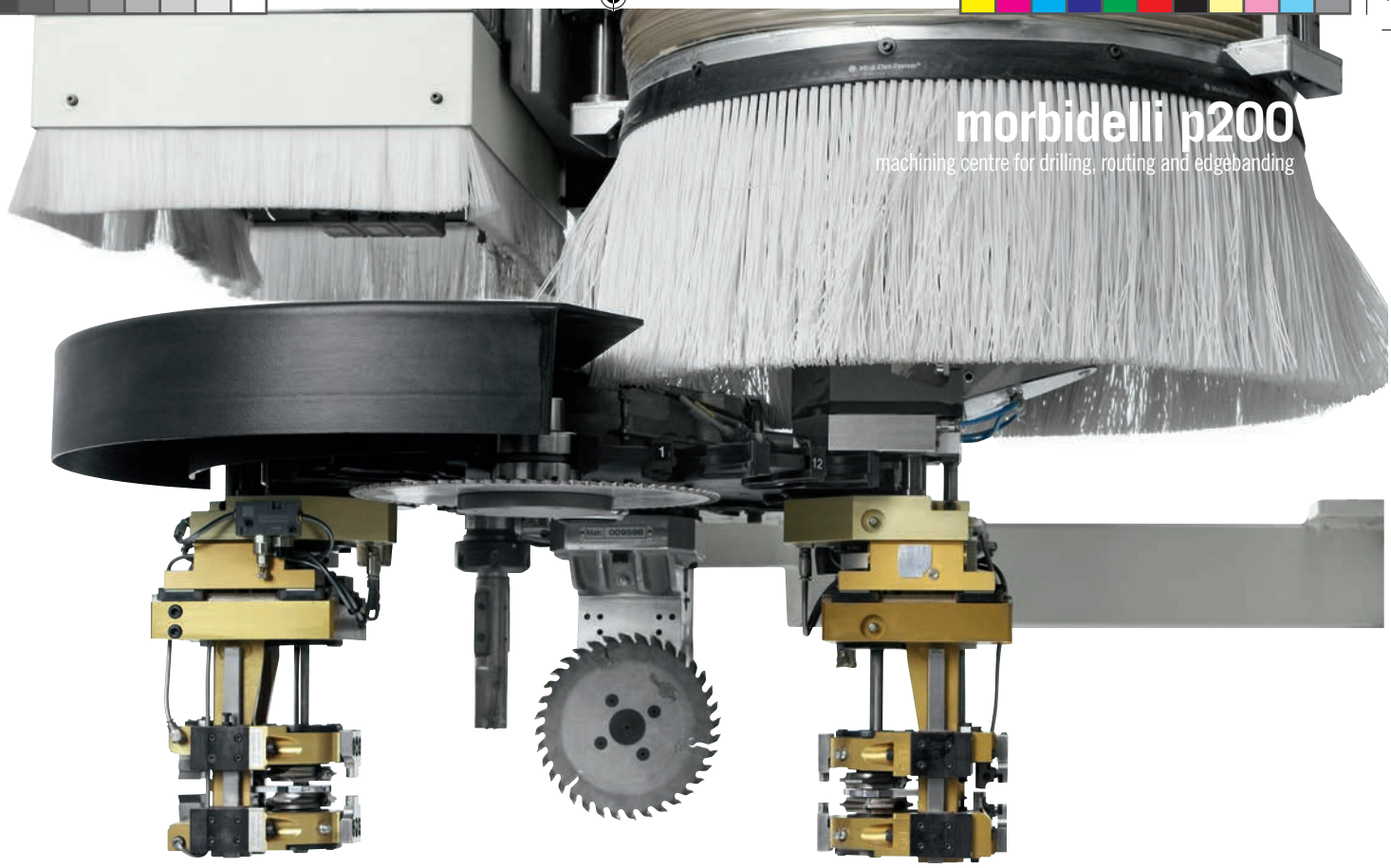
Beyond imagination, up to 60 tools always available on board.

Less than 15" for the tool change with the 14 position **FAST** tool changer.

FASTER

ALL AT YOUR SPINDLE FINGERTIPS! UP TO 60 TOOLS ALWAYS AVAILABLE ON BOARD

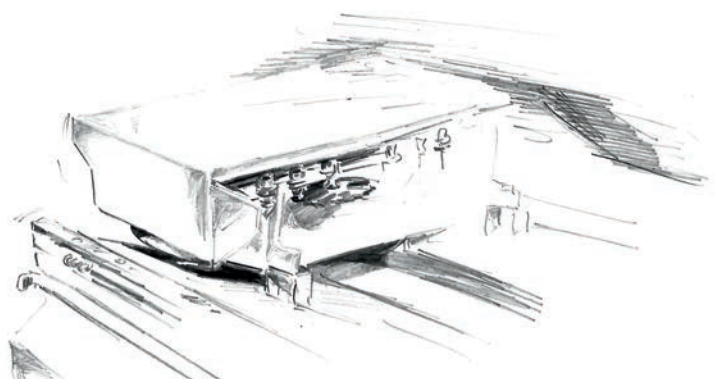
NO IDLE TIME for the tool change from a machining process to another one with the 14 position **FAST** tool changer.



morbidelli p200

machining centre for drilling, routing and edgbanding

Wide range of tools available to the operator with the rear tool changers up to 32 positions.



TRB side tool changer with 14 positions.

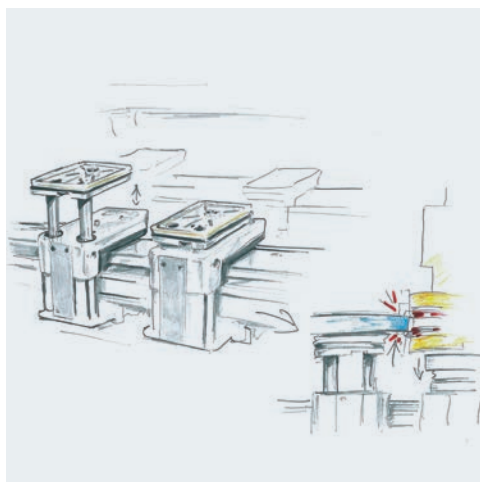


EVERYTHING YOU HAVE ALWAYS DREAMED OF A CNC MACHINING CENTRE BUT WERE TOO AFRAID TO ASK

INFINITE WAYS OF BEING



ALL FLEXIBLE

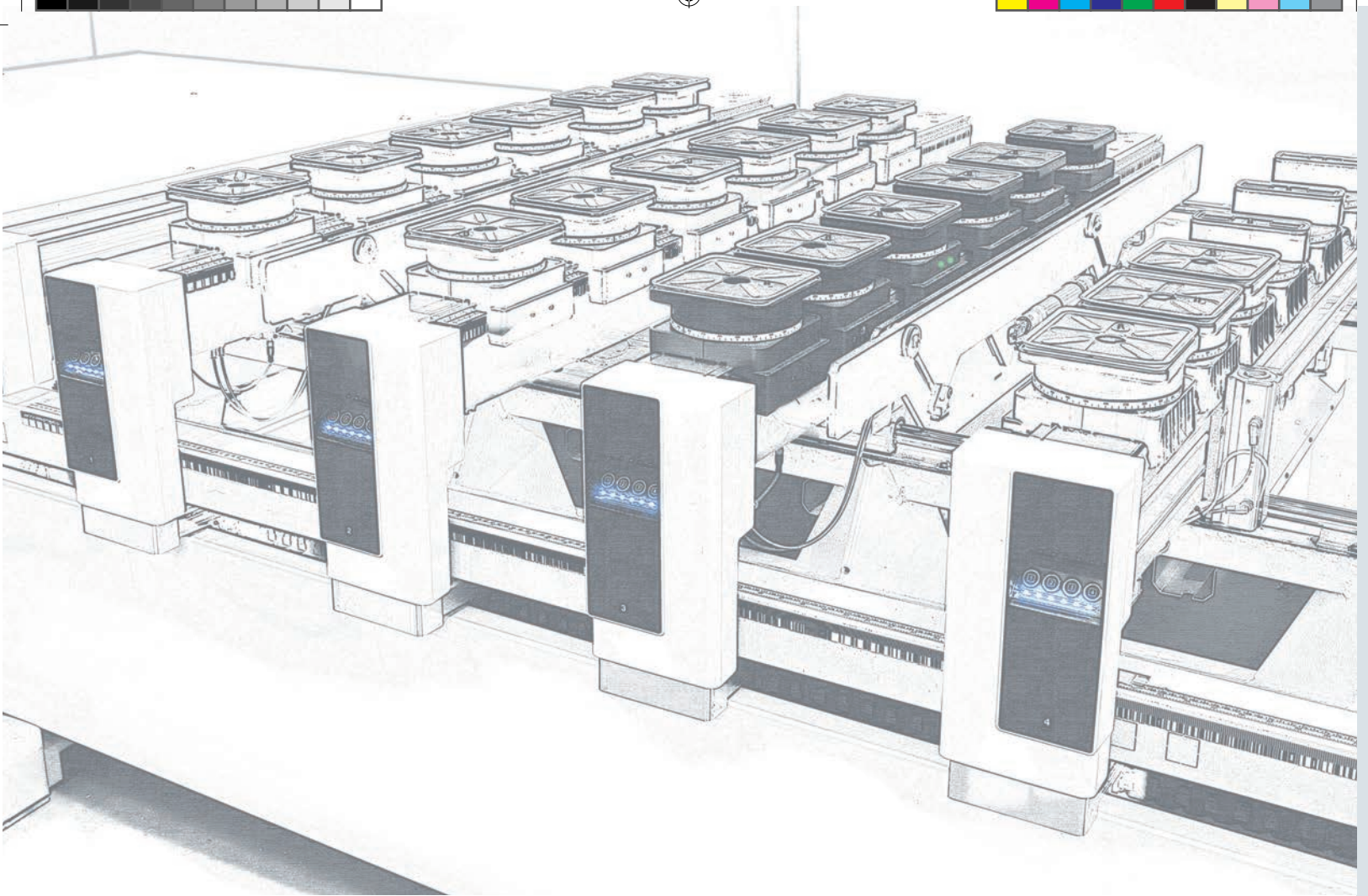


From panel to furniture, from kitchen doors to windows. **The right solution configured for all your needs** and your investment plan.

Zero idle times for set-up operations and no compromise for the machine performance with the versatility and free configurability of the **TV FLEXDRIVE** and **TV FLEXMATIC** work tables.

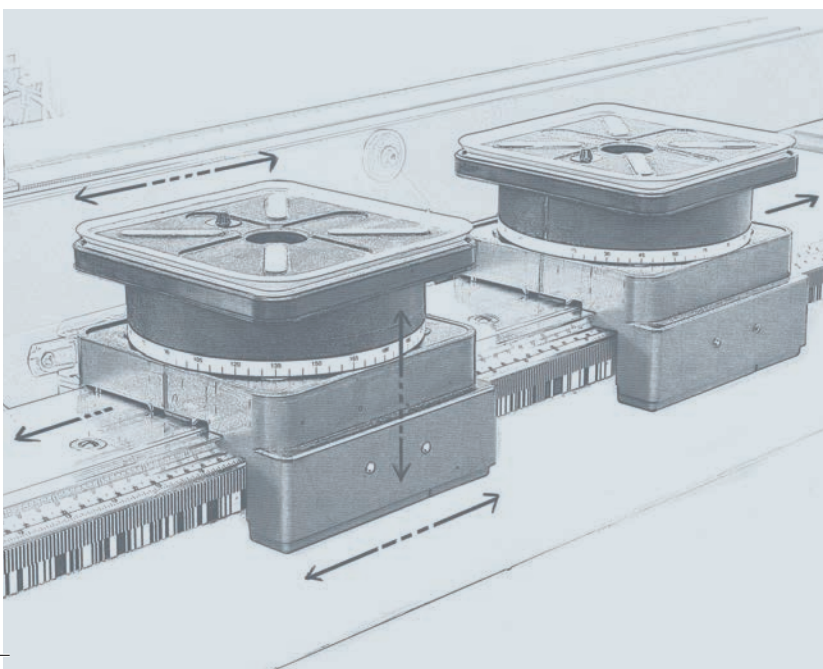
With HE-POD the work table becomes 3D: a single positioning and no displacement.





RELIABLE, FAST AND USER FRIENDLY: **FLEXDRIVE WORKTABLE**

Thanks to an innovative positioning technology, **FLEXDRIVE** allows to manually set up a work table through LED light indicators positioned both on bars and locking systems.



- **Reliable.** No mistakes in the locking systems positioning thanks to the automatic verification: if the set-up is not correct, the program won't start.
- **Fast.** Minimized set-up times thanks to the lights that guide the operator by indicating the exact position of the bars and locking systems (pods and clamping devices).
- **User friendly.** There is no need for an expert operator: LEDs make the machine intuitive and easy to set.



morbidelli p200

machining centre for drilling, routing and edgebanding

REMOVE



- Bar with central red LED: one or more locking systems must be removed.
- Locking systems with fixed red LEDs: locking systems to be removed.



ADD



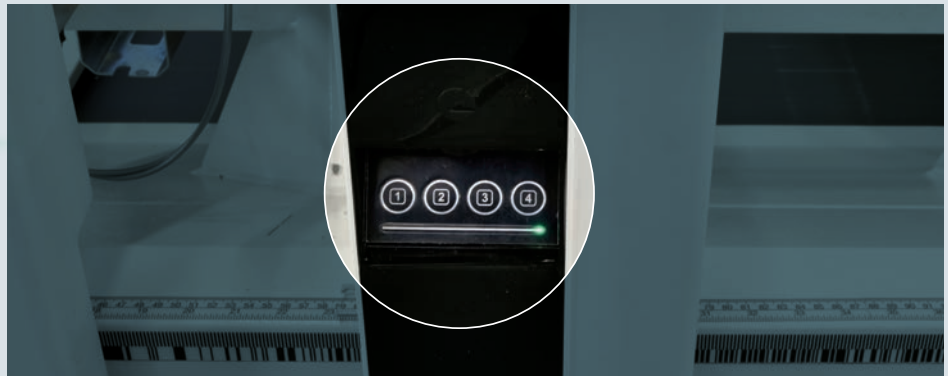
- Bar with central blue LED: one or more locking systems must be added.



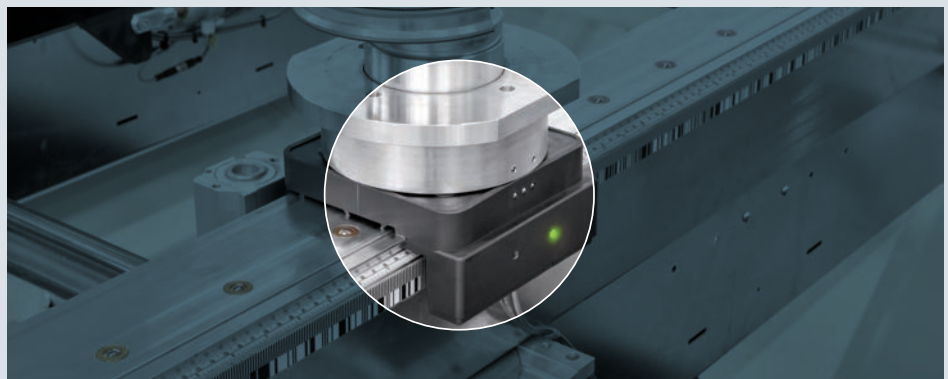
MOVE



- The fixed green LEDs start flashing more and more as the correct bar position is approached. When the target position is reached, the blue strip on the bar lights up.



- Locking systems work in the same way: when the target position is reached, the double green LED lights up.



COMPLETED SET-UP

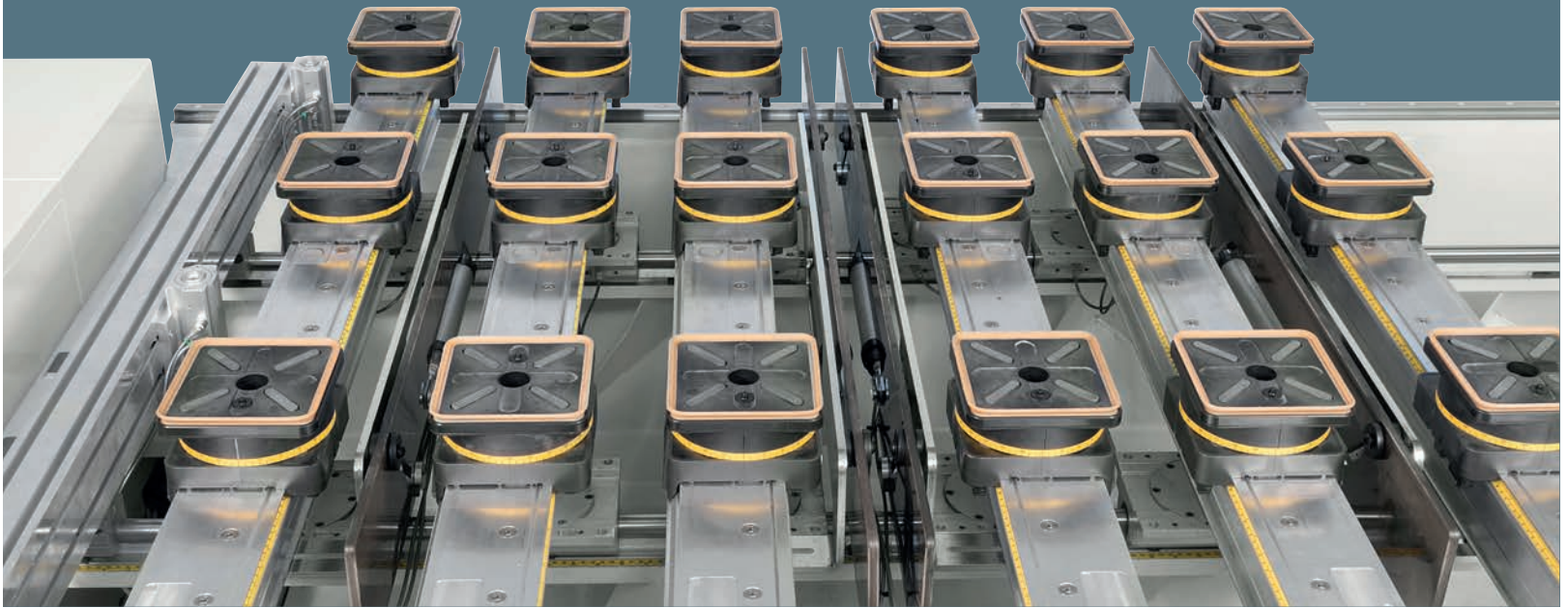


When the set-up is finished, LEDs of both locking systems and bars set to "completed" status:

- Bars: Blue LEDs
- Locking systems: LEDs off



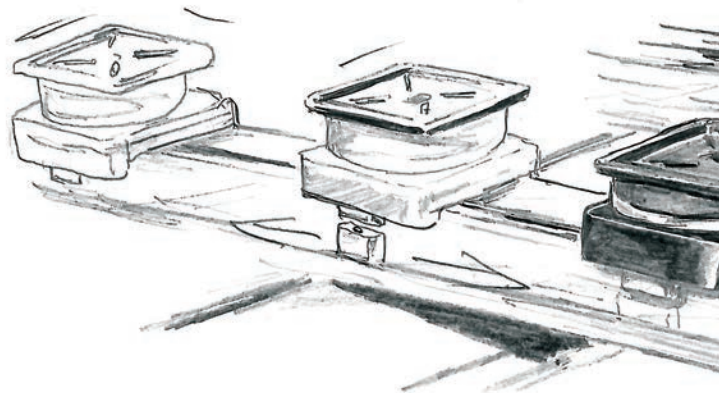
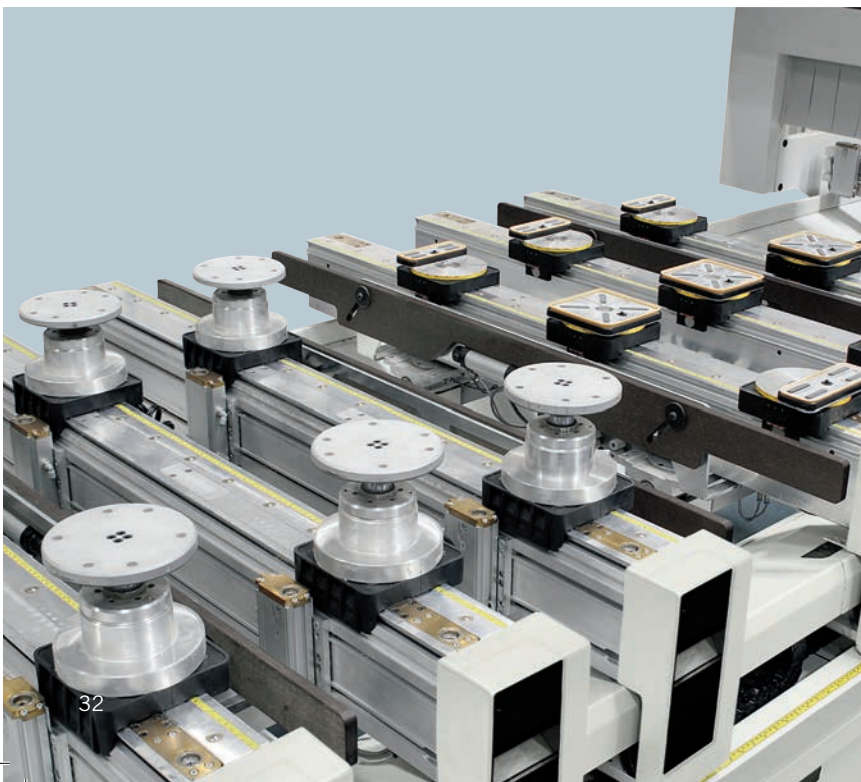
FLEXIBLE



TOTAL CUSTOMISATION: **TV FLEXMATIC RAILS** **WORK TABLE**

Automatic work table that allows the management up to 6 vacuum pods on a single rail, according to the dimensions and shape of the work piece to be machined, in order to always have the best holding without risks of collision.

Available also with manual version **TV FLEX**.



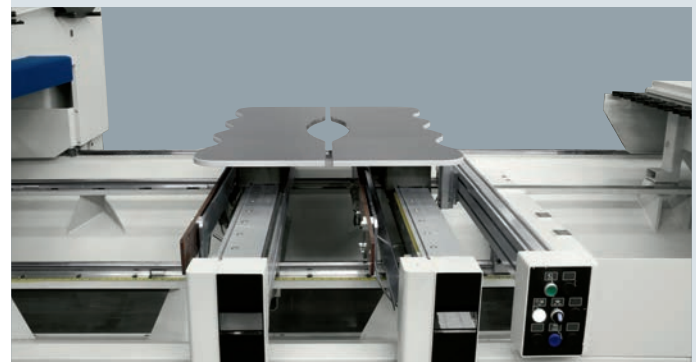
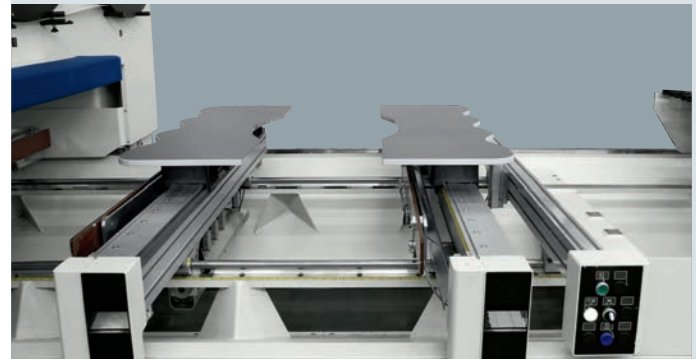
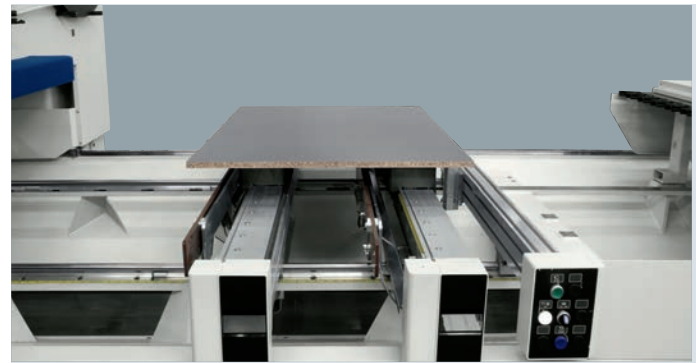


morbidelli p200

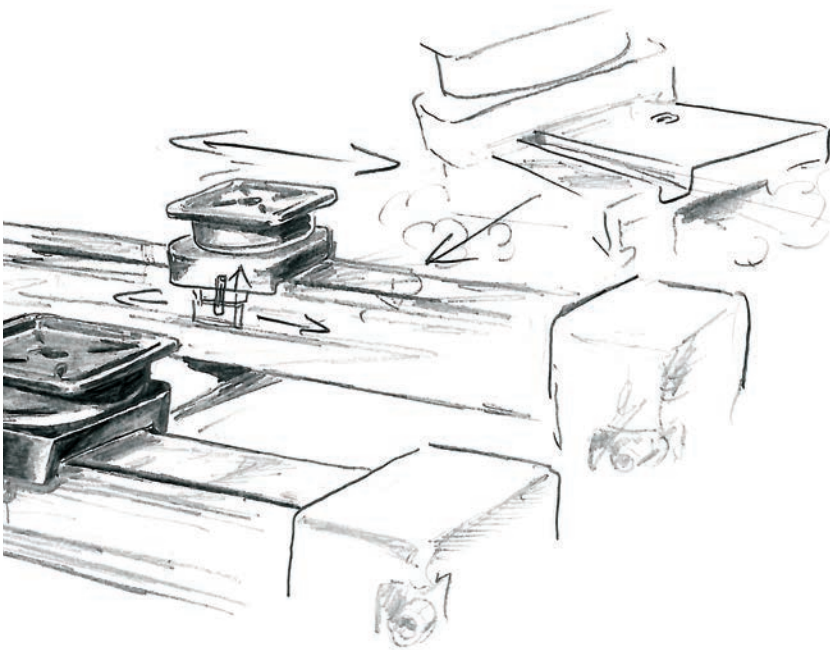
machining centre for drilling, routing and edgebanding



It is possible to add or remove vacuum pods or clamps with a simple movement of the hand; the number and the position are automatically detected.



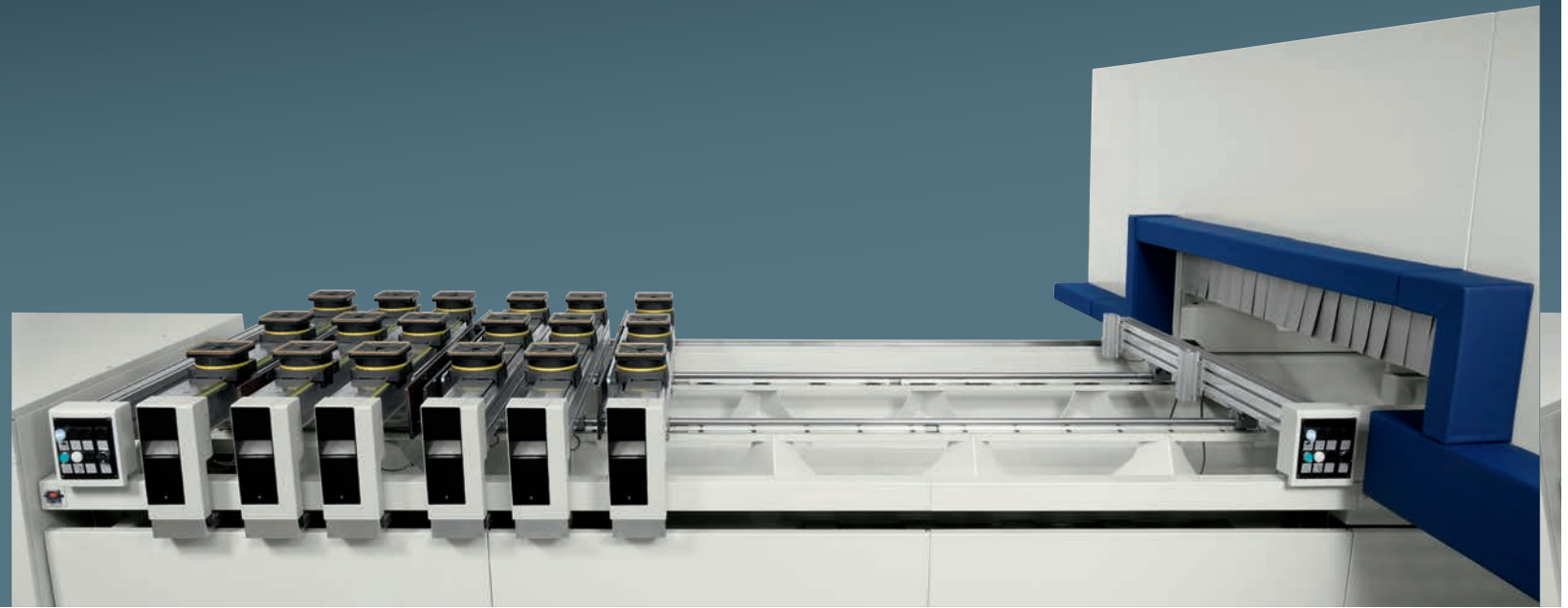
No problem for the sliding of vacuum pods or clamps due to the blowers positioned along the whole rail that guarantee a constant cleaning.



From a single panel can be obtained more elements and automatically re-position them to carry out all machining without interrupting the production cycle; at the end the work pieces are returned to the initial position to facilitate the unloading from the work table.

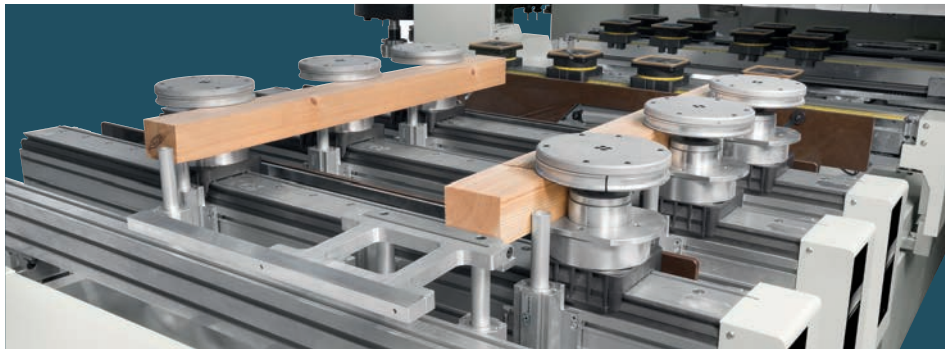


FLEXIBLE

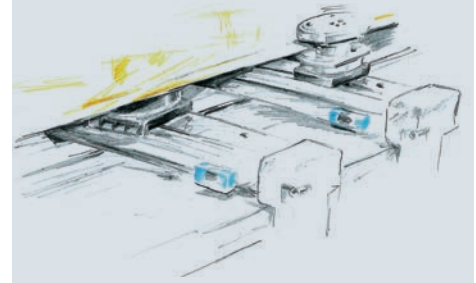


NO LIMITS ON RAILS POSITIONING: NO OBSTACLE ON THE WORK TABLE

IDEAL FOR LARGE SIZE PANELS



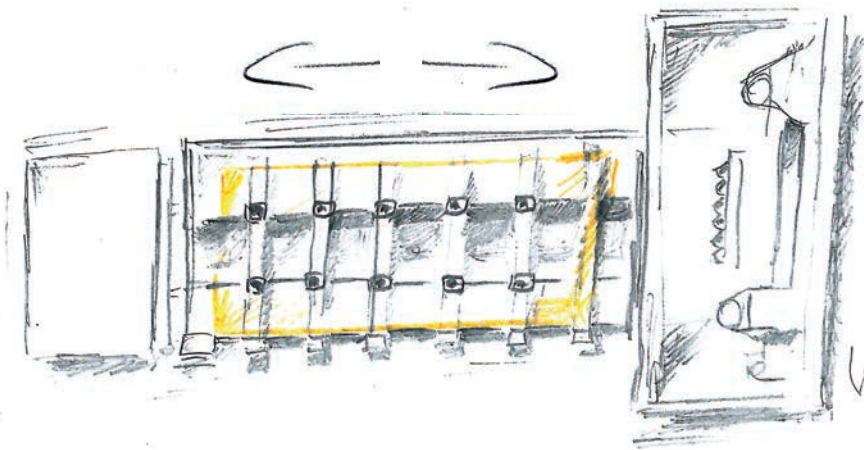
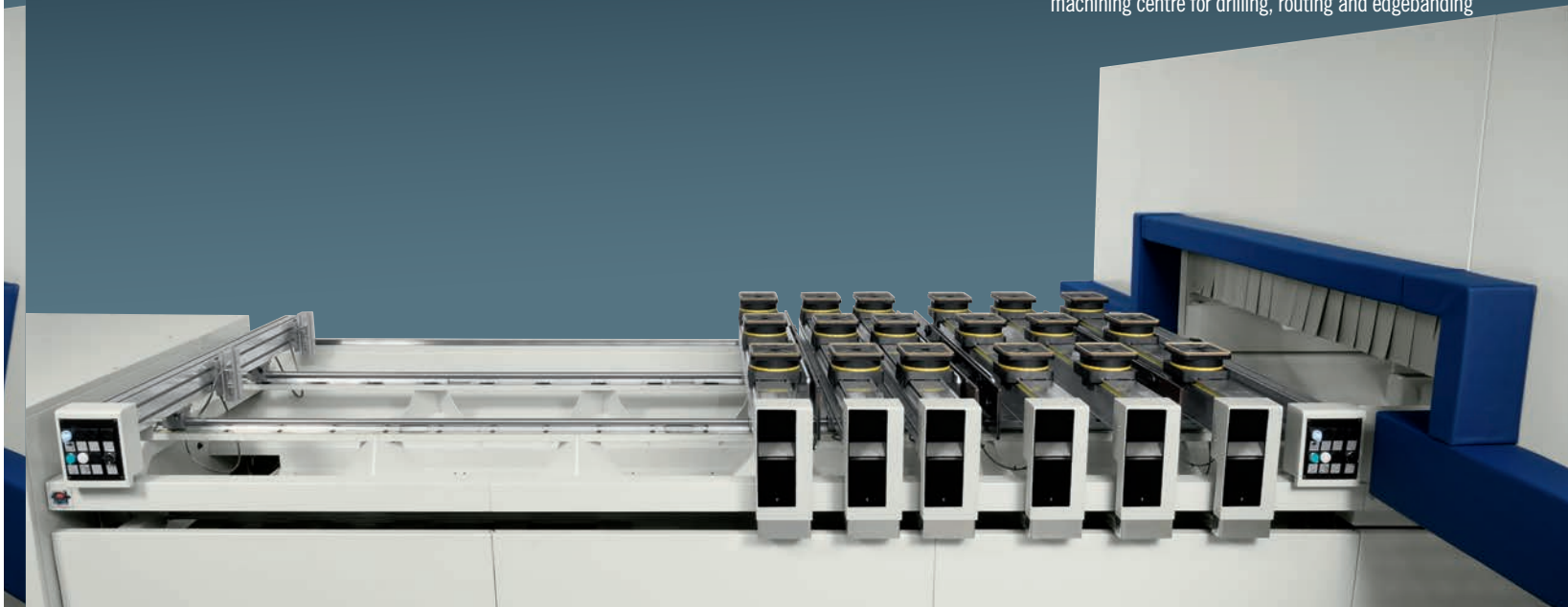
Simple and quick work table set-up also for the manual version.





morbidelli p200

machining centre for drilling, routing and edgebanding



Comfortable pushbutton to have at your fingertips all the necessary commands for the programs execution.



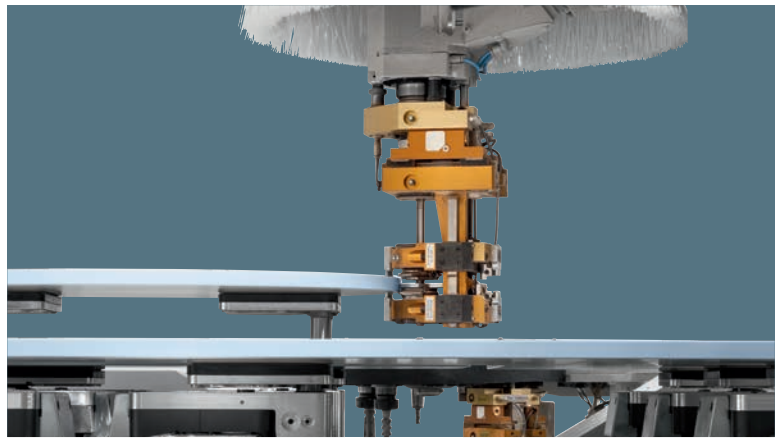
Easy positioning of heavy work pieces and large panels with the lifting support.



FLEXIBLE

THE WORK TABLE BECOMES 3D: HE-POD

Cycle time reduced by 30%, owing to HE-PODs which allow to use the whole working area for the work pieces positioning and the tool paths optimisation.



Maximum exploitation of the work table performance:
a single positioning and no displacement.



No constraint on locking:
any pod can be associated to a work piece in order to lock both panels and any shaving.



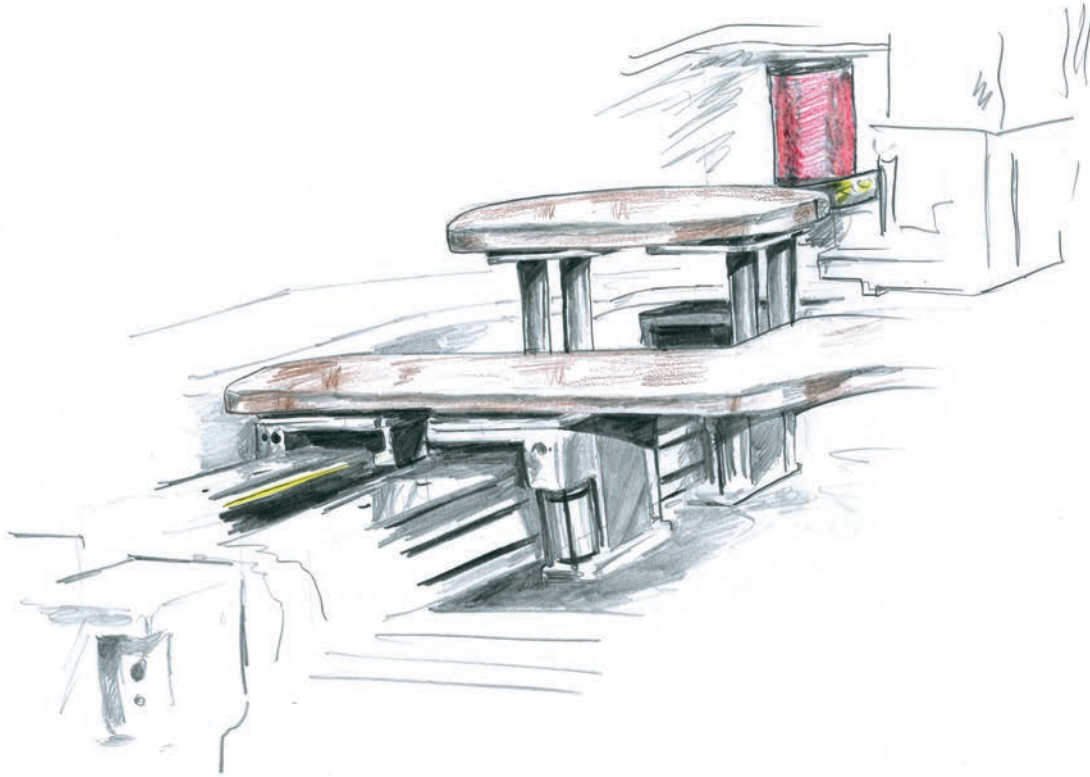
Maximum flexibility:
use of HE-POD and standard pods in the same program.



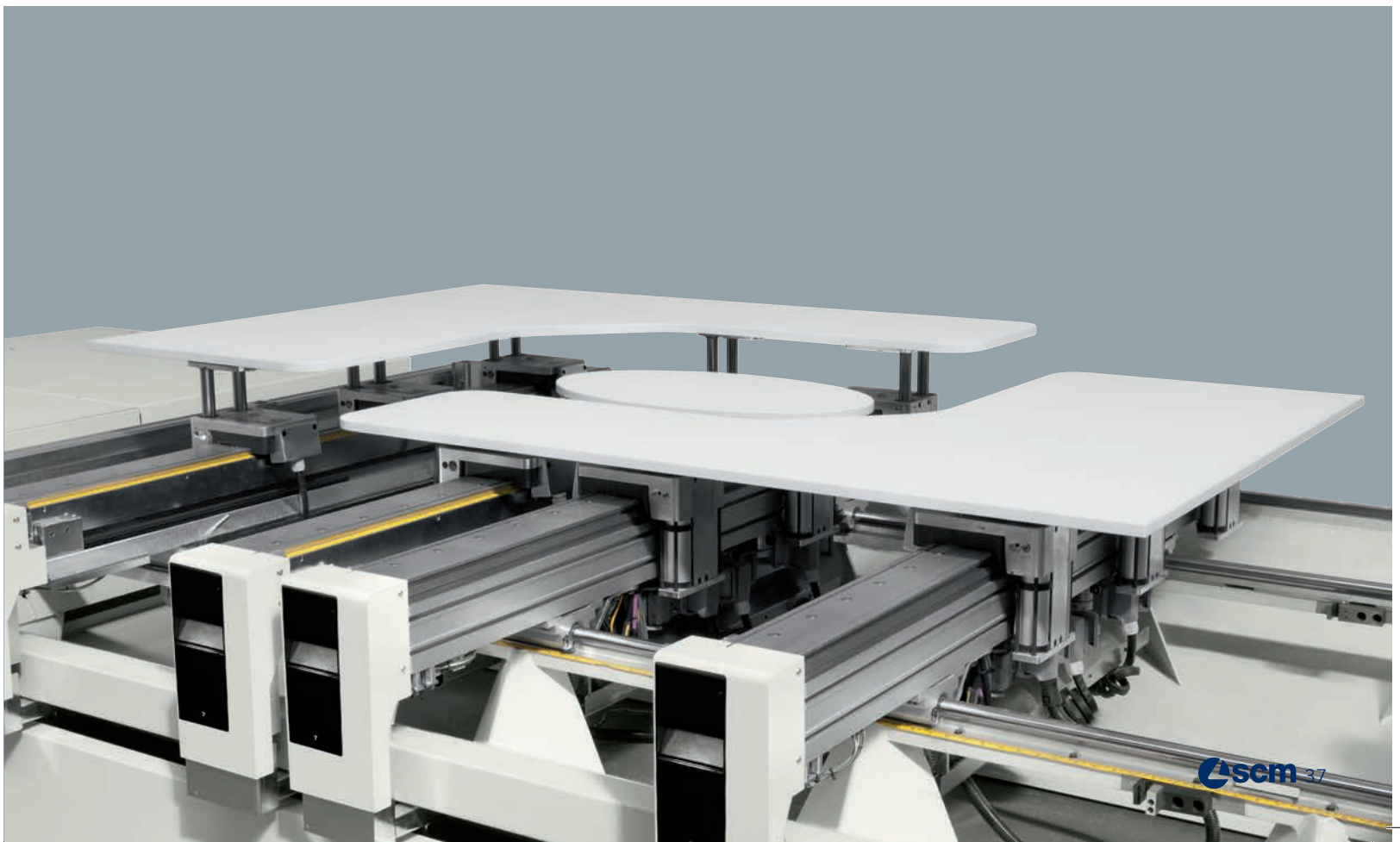


morbidelli p200

machining centre for drilling, routing and edgebanding



A SINGLE POSITIONING AND NO DISPLACEMENT!

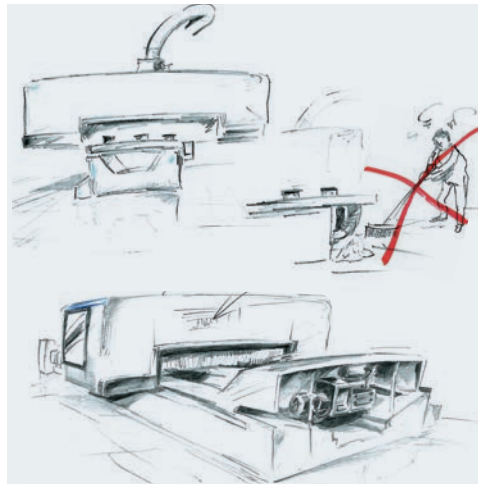


EVERYTHING YOU HAVE ALWAYS DREAMED OF A CNC MACHINING CENTRE BUT WERE TOO AFRAID TO ASK

SWEEP AWAY WORRIES



ALL CLEAN



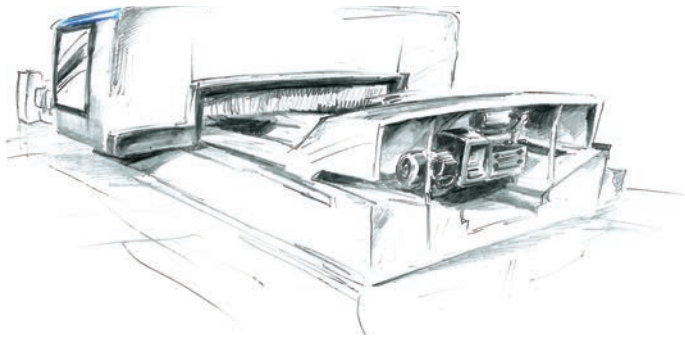
No problem with dust or shavings as a result of the intelligent solution of the dust collection box located in an ergonomic position.

Free space on the floor with the vacuum pump integrated in the machine base.



CLEAN

SPACE? NO PROBLEM!



Free access without obstacles on the floor, cable-holder chain and vacuum pump integrated in the machine base.





morbidelli p200

machining centre for drilling, routing and edgebanding



Rapidity and ergonomics to equip and do maintenance to the operating group also in PRO-SPACE version due to the practical front and rear openings.

No problem with dust or shavings as a result of the dust shavings conveyor belt equipped with exhaust outlet and the dust collection box located in an ergonomic position.



M Maestro Digital Systems

SMART SOFTWARE AND DIGITAL SERVICES TO ENHANCE PRODUCTIVITY OF WOODWORKING AND FURNITURE INDUSTRIES.

design > programming and data generation

Maestro office

Office

Factory

Maestro active

cutting > routing drilling edgebanding

SOFTWARE

Simple, smart and open Maestro software are tailored on the machine technology as well as on the entire process. All Maestro software share a common mission:

easy to use, so that any operator can easily and confidently learn and use the software

smart, with algorithms and computing modules aiming at the best possible result

open in order to integrate existing software, and provide customer the coverage of all his process.



SCM accompanies woodworking companies throughout their whole process combining machines with matching software solutions and digital services, with a constant strive to enhance company productivity.

The software solutions powered by SCM are developed to optimize machine usage as well as the entire process, providing integration with the different software existing in the company.

DIGITAL SERVICES

Transforming the way it delivers services to its customers through digital technologies and particularly, the IoT platform that collects and analyses data coming from the machine, **SCM created a world of services enabled by Maestro connect.**

Meaning that connecting an SCM machine through Maestro connect will let customer subscribe a program of fast-evolving services and access a wide range of benefits that even go beyond the machine experience and will support and assist you through the whole life-cycle of your machine.

Maestro connect IoT Platform

1
Machine monitoring,
KPIs, early warning

2
Maintenance
equipment

3
Predictive
maintenance

4
Report and historical
data export to MES

5
Warranty
extension

6
Augmented
remote support

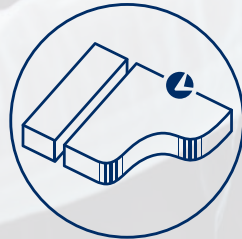
7
Smart learning,
SELF-HEALING,
video tutorials

8
Asset management
with e-shop SCM
Spare Parts





Maestro cnc



In the office, before the production, the design and programming system Maestro cnc ensures that routing, drilling or sawing can quickly and easily be programmed thanks to 3D graphics of work pieces and machining and clamping aids as well as a smart App and macros library to program any machine operation with a mouse click. Another click away and CNC programs are automatically generated.

SOFTWARE

Office

Maestro cnc

THE SOFTWARE THAT SIMPLIFIES THE WORK

CAD/CAM programming software to design all the production processes. Developed in Windows® environment it ensures easy programming with an advanced, simple and intuitive sketching environment that features all the tools necessary to design the parts, their layout on the work table, tools management and the relative machining operations. All the procedures are contained in a perfectly integrated and high performance software.

ADDITIONAL FUNCTIONS



Maestro pro view - Unique 3D display

3D Simulator that allows users access to a three dimensional model of their machine in their office and view the operations that will be carried out during the production in advance on their PC.



Maestro 3d - Unique in the creation of 3D objects

The module integrated in the Maestro suite is designed to program three dimensional objects on 5-axis machining centres.



Maestro apps - Unique know-how

Maestro apps is a library of programming functions that are always available and easy to use, developed by SCM for the production of parts for doors, windows, stairs, furniture and furnishings.



Maestro msl connector - Total integration

Connector for third-parties with design software.

SPECIALISED MACHINING



Maestro edge - Unique in edgebanding shaped pieces

It allows users to manage the routing, drilling and treatment of the edges of shaped panels and components.



Maestro cabinet - Unique in the creation of furniture

This application is designed for the home and office furniture sector to design furniture and program cabinet production step by step.



Maestro label - Unique labeling process

Integrated module to manage label's models, which develops labels by inserting texts, images, parameters and the main barcode formats.



Maestro active cnc

Maestro active is the new operator interface software which has been unified across all SCM technologies. A single operator can easily and confidently run multiple machines due to controller and interface consistency: regardless the machine, Maestro active maintains the same look&feel, with many identical icons and navigation buttons, thus ensuring the same approach to interaction.

EASE OF USE

The new interface has been specifically designed and optimized for immediate use via touch screen. Graphics have been redesigned for simple and comfortable navigation, with tablet-like icons on touch screen controller.

“ZERO” ERRORS

Improved productivity thanks to integrated help and recovery procedures that reduce the possibility of error from the operator's side.

SOFTWARE

Factory

Maestro active cnc

A REVOLUTIONARY APPROACH TO INTERACT WITH YOUR SCM MACHINE

FULL CONTROL OF PRODUCTION PERFORMANCES

The creation of customizable reports by operator, shift, program, forecast period (and much more) allows to monitor, optimize and improve the production performance.

FULL MACHINE AWARENESS AND KNOWLEDGE MANAGEMENT SYSTEM

Maestro active allows to record the times related to setup, maintenance, training and other events, tracing all the activities in a database. The operator's know-how is also stored and made available to other people inside the organization thanks to the possibility to comment and document all production events or notifications.

ORGANIZE YOUR PRODUCTION

Maestro active allows to create different users with different roles and authorizations (e.g.: operator, maintainer, administrator, ...). Any user can only execute the functions whose permissions have been assigned to him. It is also possible to define the work shifts on the machine and then detect activities, productivity and events that occurred in each shift.

TOTAL QUALITY OF THE FINISHED PRODUCT

With Maestro active the quality of the finished piece is no longer put at risk by worn tools. The new Maestro Active Tool Life Determination system sends notification messages as the tool reaches its end of life and recommends its replacement at the most appropriate time.

TOOLS? NO PROBLEM!

Maestro active guides the operator during the magazine tooling phase, taking into account the programs to be executed.

READY TO EDGE!

Simple and immediate display of the edges and rollers tooling process.

A WORLD OF SERVICES FOR GREATER EFFICIENCY

Maestro connect

CONNECT YOUR MACHINE AND GAIN ACCESS TO A WORLD OF SERVICES

Connecting your machine through Maestro connect will let you subscribe a program of fastevolving services. You will access a wide range of benefits that even go beyond the machine experience and will support and assist you through the whole life-cycle of your machine.

FASTER SERVICE INTERVENTION AND PROBLEM RESOLUTION

Maestro connect provides real time data and Health Records of the Machine also to SCM Service drastically reducing its troubleshooting time.

WORKING ALWAYS IN PERFECT CONDITIONS

Maestro Connect can provide a full kit of sophisticated sensor devices to detect and warn the operator in case of alarming conditions of the machine.

DIGITAL SERVICES

SMART MAINTENANCE: DOWN TIME REDUCTION

Maestro connect reduces maintenance downtime thanks to:

- Automatic maintenance notifications and scheduling, to prevent failures and work in the best conditions of use
- Direct connection to SCM Service thanks to an automatic ticket opening function

SMART MACHINE: ANYTIME, ANYWHERE AWARENESS

Connecting your SCM machine also means having your machine always at hand. Immediate instant notifications in case of alarms or downtimes allow customers to immediately take an action thus optimizing his productivity.

SMART MANAGEMENT: PRODUCTION PERFORMANCE OPTIMIZATION

Reports and KPIs allow further analysis thus increasing Customer Knowledge about his performance and results.

SMART PARTS: FAST PARTS REPLENISHMENT

Repairs are scheduled proactively since the system provides Spare Parts suggestions and a direct Integration with Smart Parts e-shop.

SMART LEARNING: EXECUTE WORK AND RECEIVE PROBLEM SOLVING SUPPORT

Maestro connect provides an intuitive Problem Solving Management System to help the operator to self solve any issue..

SMARTTECH: FASTER AUGMENTED SUPPORT

Maestro connect allows augmented reality support by means of Smarttech: the head-wearable computers with wireless connectivity that will bring the interaction between customer and SCM service to a higher level.

SMART WARRANTY: YOUR MACHINE ALWAYS IN PERFECT CONDITIONS

Together with scheduled maintenance contracts, you can take care of your asset by doubling the warranty from 1 year to 2 years* for complete peace of mind!

* *please read the complete contract to understand terms and conditions.*

morbidelli p200

centro di lavoro per foratura, fresatura e trattamento del bordo

Home Draw Operations Machines Tools

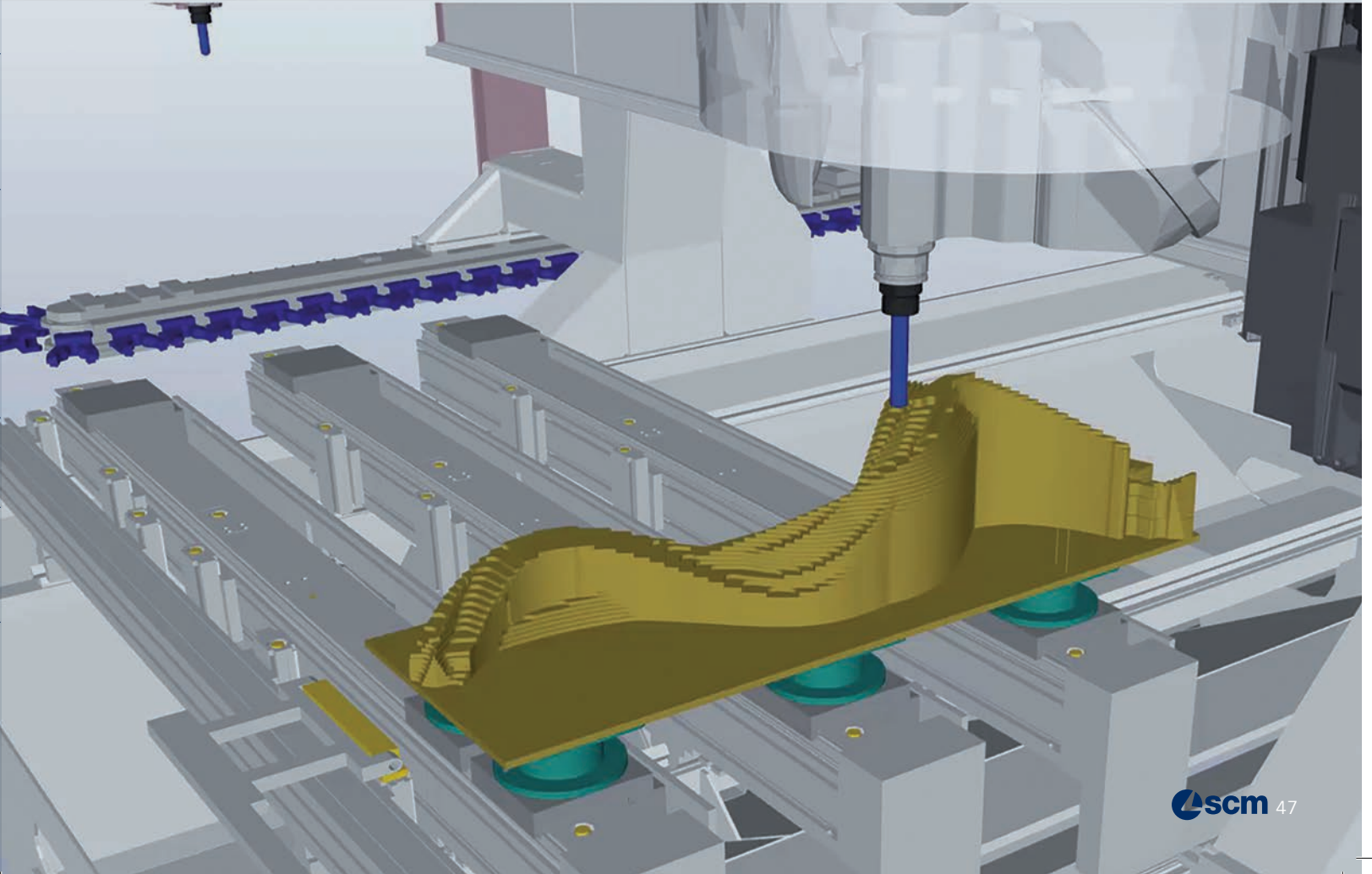
Machine parameters: Null operation, Probing, Print message, Table cleaning

Parameters: dx1 1205.000, dy1 1205.000, dz1 60.000

Project: Machining, Planes, Phases

- IF Fresatura(1)
- IF Fresatura
- IF Fresatura(2)
- IF Bordatura
- IF Bordatura(1)
- IF Intestatura(3)
- IF Intestatura
- IF Intestatura(1)
- IF Intestatura(2)
- IF Refilatura
- IF Raschia bordo
- IF Refilatura(1)
- IF Raschia bordo(1)

Tool path display: 0.1x, 1x, 10x





ALL READY



1 technician, 1 day and the machine is up and running!

THE AFFORDABLE ALL-IN-ONE TECHNOLOGY



TECHNICAL DATA

MORDIBELLI P200

AXES

Z axis panel passage	mm	180
Vectorial speed - X-Y axes	m/min	56 (PRO-SPACE) 78 (PRO-SPEED)

ROUTING UNIT

Motor power (max.)	kW (hp)	15 (20,5)
Rotation speed (max.)	rpm	24000
Available tools on tool changer (max.)	places	60

DRILLING UNIT

Independent vertical spindles (max.)	no.	21
Independent horizontal spindles (max.)	no.	12
Rotation speed (max.)	rpm	8000
Integrated blade in X, diameter	mm	125

INSTALLATION

Exhaust air consumption	m ³ /h	4430
Exhaust air speed	m/sec	25
Exhaust outlet diameter	mm	250



THE USE OF POWER ONLY WHEN IT IS REQUIRED

SavEnergy allows making things operate only when they are really necessary. It means the machine automatically enters “stand-by” mode when there are no panels to be machined.

**COMPANY WITH
QUALITY SYSTEM
CERTIFIED BY DNV
ISO 9001**

The technical data can vary according to the requested machine composition. In this catalogue, machines are shown with options. The company reserves the right to modify technical specifications without prior notice; the modifications do not influence the safety foreseen by the CE Norms.

*Maximum noise levels measured according to the operating conditions established by EN 848-3:2012
Acoustic pressure in process (routing) 81 dbA (measured according to EN ISO 11202:2010, uncertainty K = 4 dB)
Acoustic power in process (routing) 98 dbA measured according to EN ISO 3746:2010, uncertainty K = 4 dB)*

Even if there is a correlation between above mentioned “conventional” noise emission values and average levels of personal exposure over eight hours of operators, these last also depend on the real operating conditions, duration of exposure, acoustic conditions of the working environment and presence of further noise sources, this means the number of machines and other adjacent processes.



SERVICE AND MAINTENANCE



TRAINING SERVICE



SPARE PARTS



DIGITAL SERVICES

SCM OFFERS A FULL RANGE OF **HIGHLY SPECIALISED SERVICES** WITH A QUALITY AND RELIABILITY THAT STEM FROM 70 YEARS OF EXPERIENCE IN THE INDUSTRY.

From installation and production start-up to services and maintenance. From training to the supply of specific original spare parts: **we provide solutions designed around you!**

CONTACT

SCM SERVICE

via Emilia 77 - 47921 Rimini - Italy
tel. +39 0541 700100
scmservice@scmgroup.com
www.scmwood.com

SCM SPAREPARTS

Via Emilia, 61 - 47921 - Rimini - Italy
tel. +39 0541 674111
spareparts@scmgroup.com
www.scmwood.com



My Scm

WE'LL GO THE EXTRA MILE FOR YOU



SERVICE AND MAINTENANCE

- Remote support
- Scheduled maintenance contracts
- Warranty extension



TRAINING SERVICE

- Courses for machine operators
- Software and programming courses
- Training in production start-up



SPARE PARTS

- Recommended spare parts list
- E-shop
- Interactive spare-parts catalogues
- Repairs on electronic parts, glue tanks and electro-spindles



DIGITAL SERVICES

- Maestro Connect - IoT platform to be constantly connected with your machines
- Smartech - assistance with augmented reality
- My Scm portal - opening of service ticket and single point of access to the apps and Services tools

THE STRONGEST WOOD ARE IN OUR DNA

SCM. A HERITAGE OF SKILLS IN A UNIQUE BRAND

70 years of success gives SCM the centre stage in woodworking technology. This heritage results from bringing together the best know-how in machining and systems for wood-based manufacturing. SCM is present all over the world, brought to you by the widest distribution network in the industry.

- 70** years history
- 3** main production sites in Italy
- 300.000** square metres of production space
- 20.000** machines manufactured per year
- 90%** export
- 20** foreign branches
- 400** agents and dealers
- 500** support technicians
- 500** registered patents

In SCM's DNA also strength and solidity of a great Group. The SCM Group is a world leader, manufacturing

SCM GROUP, A HIGHLY SKILLED TEAM EXPERT IN INDUSTRIAL MACHINES

INDUSTRIAL MACHINERY

Stand-alone machines, integrated systems and services dedicated to processing a wide range of materials.



WOODWORKING TECHNOLOGIES



TECHNOLOGIES FOR PROCESSING COMPOSITE MATERIALS, ALUMINIUM, PLASTIC, GLASS, STONE, METAL

TECHNOLOGIES



industrial equipment and components for machining the widest range of materials.

AND COMPONENTS

INDUSTRIAL COMPONENTS

Technological components for the Group's machines and systems,
for those of third-parties and the machinery industry.

HITECO

SPINDLES AND TECHNOLOGICAL
COMPONENTS

Les

ELECTRIC PANELS

steelmec

METALWORK

scmfonderie

CAST IRON

scm | *is more*
woodworking technology



REV. N. 03 - 11.2022



SCM GROUP SPA
via Casale 450 - 47826 Villa Verucchio, Rimini - Italy
tel. +39 0541 674111 - fax +39 0541 674274
morbidelli@scmgroup.com
www.scmwood.com



00L0431247F

